

MT1002

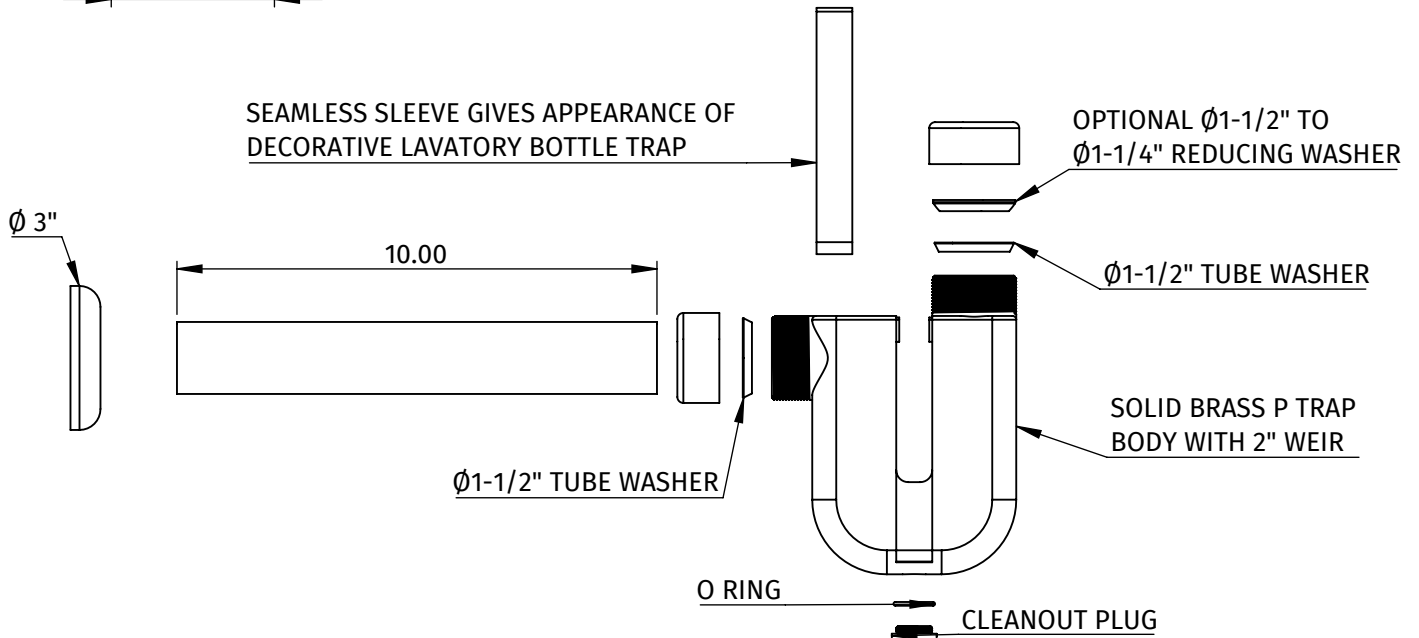
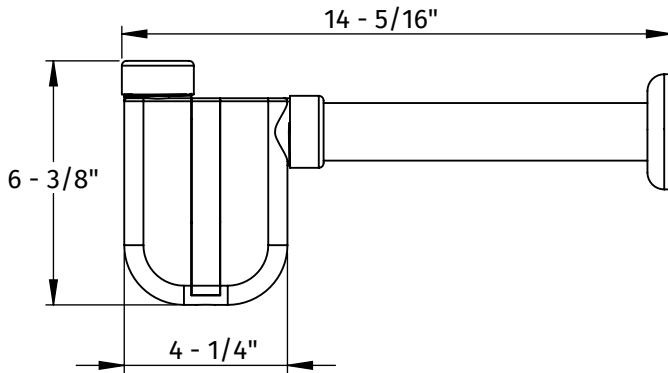
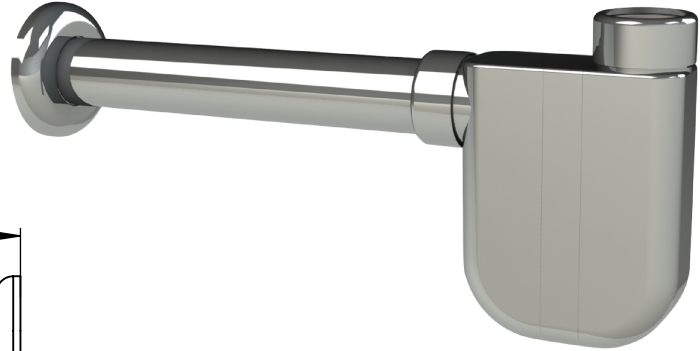
DECORATIVE SLEEVED P-TRAP WITH CLEAN-OUT PLUG



A McAlpine Company
Mountain
Plumbing Products

SPECIFICATION SHEET

- $\text{Ø}1\text{-}1/2\text{'}$ INLET AND OUTLET
- 1-1/4" REDUCING SEALS INCLUDED
- 10" DRAIN PIPE WITH FLANGE
- SOLID BRASS CONSTRUCTION
- MEETS NYC PLUMBING CODE



WARRANTY

FOR WARRANTY INFO PLEASE VISIT WWW.MOUNTAINPLUMBING.COM/PAGE/RESOURCES/WARRANTY

FINISH CARE & MAINTENANCE

NEVER USE ANY HARSH ALKALI, ACID BASED DETERGENTS OR CLEANERS SUCH AS SOFT SCRUB®, SCRUBBING BUBBLES® OR COMET® TO CLEAN. DO NOT USE BRILLO® OR SCOTCH BRITE® PADS. THESE WILL ALL HARM THE FINISH. TO CLEAN, USE ONLY A DAMP SOFT CLOTH AND WIPE GENTLY. STANDARD WINDEX® CAN ALSO BE USED SPARINGLY. IT IS NOT NECESSARY TO WIPE HARD TO REMOVE SPOTS. TO MAINTAIN THE FINISH, WIPE WITH A SOFT DRY CLOTH AFTER USE. AN OCCASIONAL COAT OF PURE CARNAUBA WAX WITHOUT CLEANERS WILL HELP PROTECT THE FINISH.

SPECIFICATIONS SUBJECT TO CHANGE WITHOUT NOTICE