

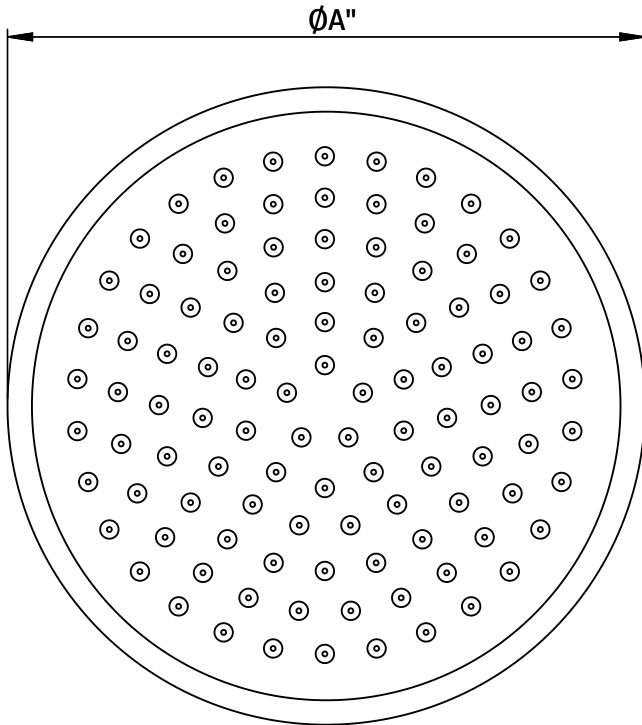
MT18-8/10

MOUNTAIN RE-VIVE™ TRADITIONAL ROUND RAIN HEAD

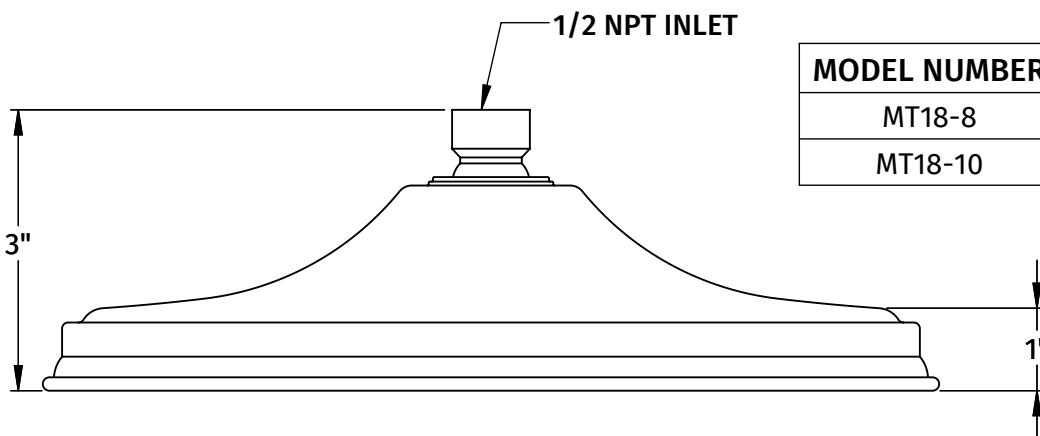
SPECIFICATION SHEET



Mountain Plumbing Products



- SOLID BRASS CONSTRUCTION
- CLOG FREE NOZZLES
- 1/2" NPT SWIVEL BALL JOINT INLET
- 1.6 GPM (2.5 GPM RESTRICTOR INCLUDED) (MT18-10 SHOWN IN PHOTO)
- ALL DIMENSIONS ARE NOMINAL
- DUE TO SIZE AND WEIGHT, THESE SHOWER HEADS ARE BEST SUITED TO BE USED EXCLUSIVELY AS A RAIN HEAD.



MODEL NUMBER	DIM A	NOZZLES
MT18-8	8"	140
MT18-10	10"	105

WARRANTY

FOR WARRANTY INFO PLEASE VISIT WWW.MOUNTAINPLUMBING.COM/PAGE/RESOURCES/WARRANTY

FINISH CARE & MAINTENANCE

NEVER USE ANY HARSH ALKALI, ACID BASED DETERGENTS OR CLEANERS SUCH AS SOFT SCRUB®, SCRUBBING BUBBLES® OR COMET® TO CLEAN. DO NOT USE BRILLO® OR SCOTCH BRITE® PADS. THESE WILL ALL HARM THE FINISH. TO CLEAN, USE ONLY A DAMP SOFT CLOTH AND WIPE GENTLY. STANDARD WINDEX® CAN ALSO BE USED SPARINGLY. IT IS NOT NECESSARY TO WIPE HARD TO REMOVE SPOTS. TO MAINTAIN THE FINISH, WIPE WITH A SOFT DRY CLOTH AFTER USE. AN OCCASIONAL COAT OF PURE CARNAUBA WAX WITHOUT CLEANERS WILL HELP PROTECT THE FINISH.

SPECIFICATIONS SUBJECT TO CHANGE WITHOUT NOTICE