

MT522P/B - MT526P/B

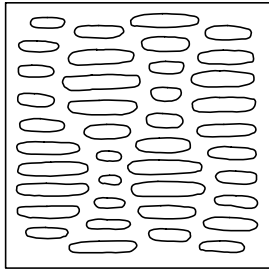
MOUNTAIN RE-VIVE™ SHOWER DRAINS



SPECIFICATION SHEET

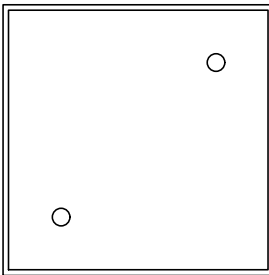
DREAMTIME

MT522P(B)
MT522-(BR)GRID



TILE-IN

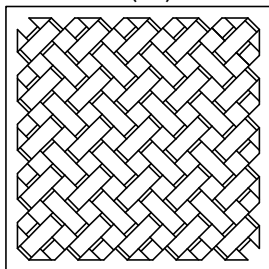
MT524P(B)
MT524-GRID



3 9/16" SQUARE
FOR TILE-IN

BASKET WEAVE

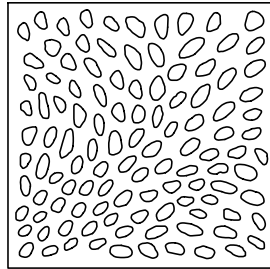
MT526P(B)
MT526-(BR)GRID



4 1/4" SQUARE
ALL GRIDS
(DOES NOT
INCLUDE TILE-IN)

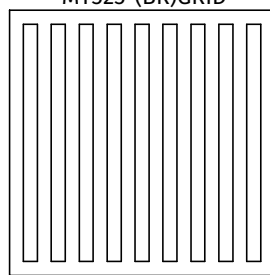
FLOW

MT523P(B)
MT523-(BR)GRID



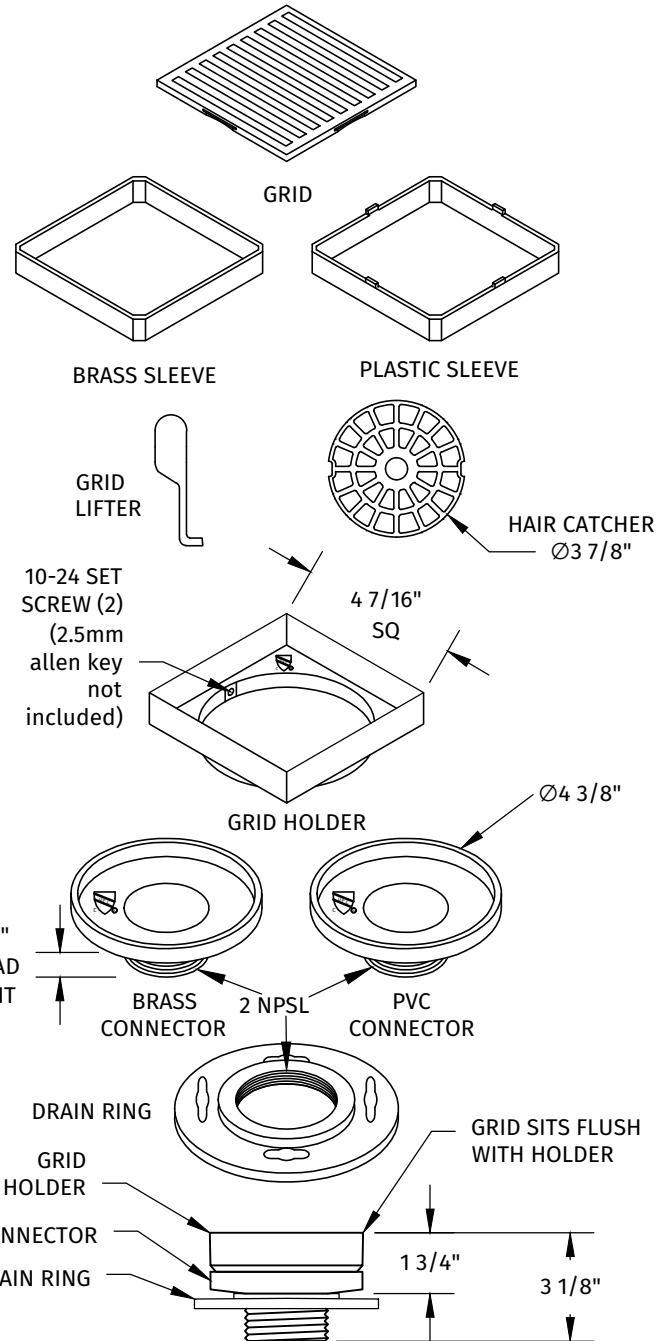
LINEAR

MT525P(B)
MT525-(BR)GRID



NOTES ON ORDERING:

- **MT52XP** WILL INCLUDE GRID, PLASTIC SLEEVE, HAIR CATCHER, GRID LIFTER, GRID HOLDER, PVC CONNECTOR, AND DRAIN RING. (COMPLETE KIT)
- **MT52XB** WILL INCLUDE GRID, BRASS SLEEVE, HAIR CATCHER, GRID LIFTER, GRID HOLDER, BRASS CONNECTOR, AND DRAIN RING. (COMPLETE KIT)
- **MT52X-GRID** WILL INCLUDE GRID, PLASTIC SLEEVE, HAIR CATCHER, AND GRID LIFTER ONLY. (GRID ONLY)
- **MT52X-BRGRID** WILL INCLUDE GRID, BRASS SLEEVE, HAIR CATCHER, AND GRID LIFTER ONLY. (GRID ONLY)
- **MT518P-ROUGH** WILL INCLUDE GRID HOLDER, PVC CONNECTOR, AND DRAIN RING ONLY. (ROUGH ONLY)
- **MT518B-ROUGH** WILL INCLUDE GRID HOLDER, BRASS CONNECTOR, AND DRAIN RING ONLY. (ROUGH ONLY)



WARRANTY

FOR WARRANTY INFO PLEASE VISIT WWW.MOUNTAINPLUMBING.COM/PAGE/RESOURCES/WARRANTY

FINISH CARE & MAINTENANCE

NEVER USE ANY HARSH ALKALI, ACID BASED DETERGENTS OR CLEANERS SUCH AS SOFT SCRUB®, SCRUBBING BUBBLES® OR COMET® TO CLEAN. DO NOT USE BRILLO® AND SCOTCH BRITE® PADS. THESE WILL ALL HARM THE FINISH. TO CLEAN, USE ONLY A DAMP SOFT CLOTH AND WIPE USING A SOFT CLOTH. STANDARD WINDEX® CAN ALSO BE USED SPARINGLY. IT IS NOT NECESSARY TO WIPE HARD TO REMOVE SPOTS. TO MAINTAIN THE FINISH, WIPE WITH A SOFT DRY CLOTH AFTER USE. AN OCCASIONAL COAT OF PURE CARNAUBA WAX WITHOUT CLEANERS WILL HELP PROTECT THE FINISH.

SPECIFICATIONS SUBJECT TO CHANGE WITHOUT NOTICE