

MT506/507P-ROUGH/RB

MT506/507A-ROUGH/RB

MT506C-ROUGH

MT506I-ROUGH

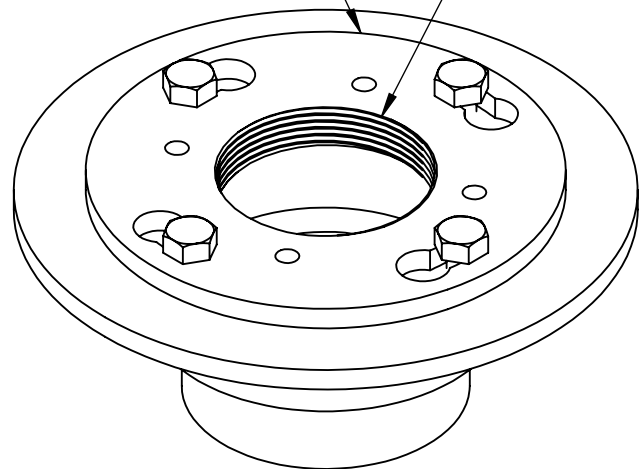
SHOWER DRAIN BODIES WITH RING



SPECIFICATION SHEET

ALL DRAIN BODIES
INCLUDE A CAST IRON
DRAIN RING

2 - 1 1/2 NPSL
THREAD



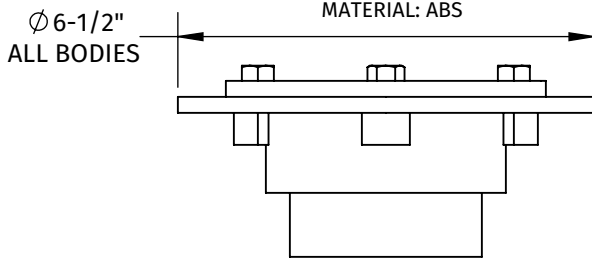
MT506/507P-ROUGH/RB
SHOWN

MT506/507P-ROUGH/RB

MATERIAL: PVC

MT506/507A-ROUGH/RB

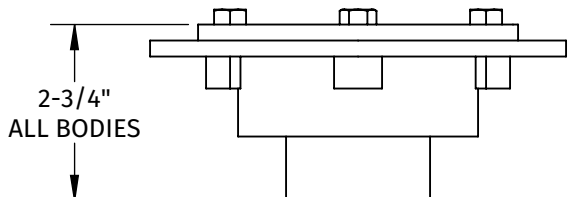
MATERIAL: ABS



- FITS 2" ABS/PVC PIPE DRAIN ROUGH
- USE WITH MOUNTAIN PLUMBING SHOWER DRAIN: MT506/507-GRID

MT506C-ROUGH

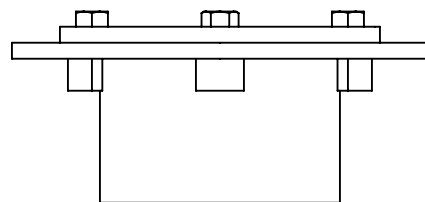
MATERIAL: CAST IRON



- FITS 2" CAST IRON PIPE WITH NO-HUB CONNECTION
- USE WITH MOUNTAIN PLUMBING SHOWER DRAIN: MT506/507-GRID

MT506I-ROUGH

MATERIAL: CAST IRON



- FITS 2" IPS CAST IRON PIPE DRAIN ROUGH
- USE WITH MOUNTAIN PLUMBING SHOWER DRAIN: MT506/507-GRID

WARRANTY

FOR WARRANTY INFO PLEASE VISIT WWW.MOUNTAINPLUMBING.COM/PAGE/RESOURCES/WARRANTY

FINISH CARE & MAINTENANCE

NEVER USE ANY HARSH ALKALI, ACID BASED DETERGENTS OR CLEANERS SUCH AS SOFT SCRUB®, SCRUBBING BUBBLES® OR COMET® TO CLEAN. DO NOT USE BRILLO® OR SCOTCH BRITE® PADS. THESE WILL ALL HARM THE FINISH. TO CLEAN, USE ONLY A DAMP SOFT CLOTH AND WIPE GENTLY. STANDARD WINDEX® CAN ALSO BE USED SPARINGLY. IT IS NOT NECESSARY TO WIPE HARD TO REMOVE SPOTS. TO MAINTAIN THE FINISH, WIPE WITH A SOFT DRY CLOTH AFTER USE. AN OCCASIONAL COAT OF PURE CARNAUBA WAX WITHOUT CLEANERS WILL HELP PROTECT THE FINISH.

SPECIFICATIONS SUBJECT TO CHANGE WITHOUT NOTICE