

BDWOF-DISC

FINGER TOUCH BATH TUB DRAIN WITH OVERFLOW (DRAIN TUBE NOT INCLUDED)

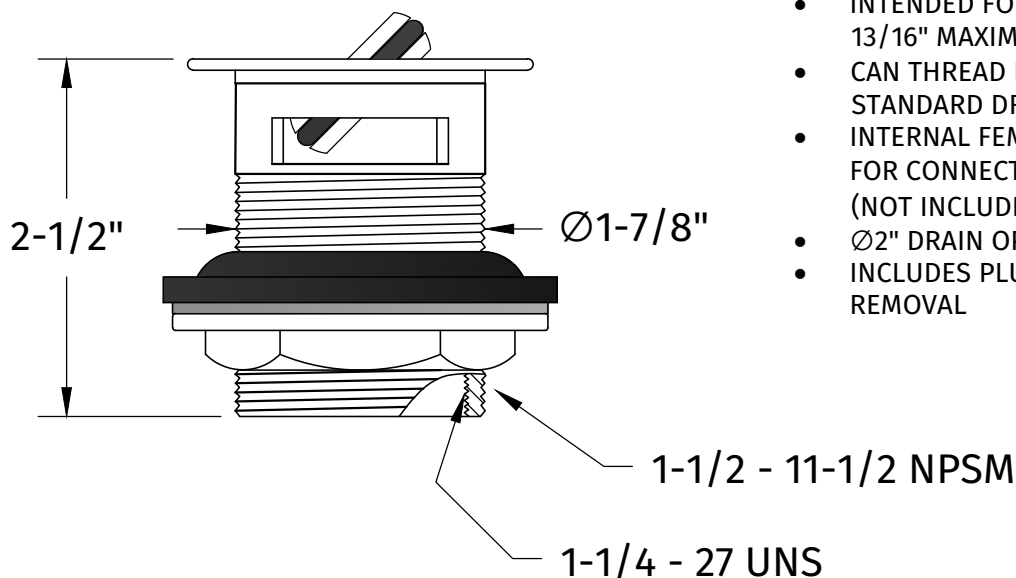
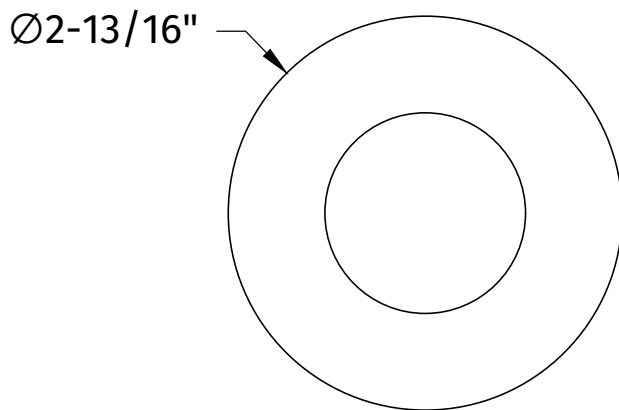
SPECIFICATION SHEET



A McAlpine Company

Mountain

Plumbing Products



- INTENDED FOR TUBS WITH BUILT-IN 13/16" MAXIMUM OVERFLOW
- CAN THREAD INTO A 1-1/2 NPSM STANDARD DRAIN SHOE
- INTERNAL FEMALE THREADING ALLOWS FOR CONNECTING A 1-1/4" BRASS TUBE (NOT INCLUDED)
- Ø2" DRAIN OPENING REQUIRED
- INCLUDES PLUNGER FOR EASY DISC REMOVAL

WARRANTY

FOR WARRANTY INFO PLEASE VISIT WWW.MOUNTAINPLUMBING.COM/PAGE/RESOURCES/WARRANTY

FINISH CARE & MAINTENANCE

NEVER USE ANY HARSH ALKALI, ACID BASED DETERGENTS OR CLEANERS SUCH AS SOFT SCRUB®, SCRUBBING BUBBLES® OR COMET® TO CLEAN. DO NOT USE BRILLO® AND SCOTCH BRITE® PADS. THESE WILL ALL HARM THE FINISH. TO CLEAN, USE ONLY A DAMP SOFT CLOTH AND WIPE USING A SOFT CLOTH. STANDARD WINDEX® CAN ALSO BE USED SPARINGLY. IT IS NOT NECESSARY TO WIPE HARD TO REMOVE SPOTS. TO MAINTAIN THE FINISH, WIPE WITH A SOFT DRY CLOTH AFTER USE. AN OCCASIONAL COAT OF PURE CARNAUBA WAX WITHOUT CLEANERS WILL HELP PROTECT THE FINISH.

SPECIFICATIONS SUBJECT TO CHANGE WITHOUT NOTICE