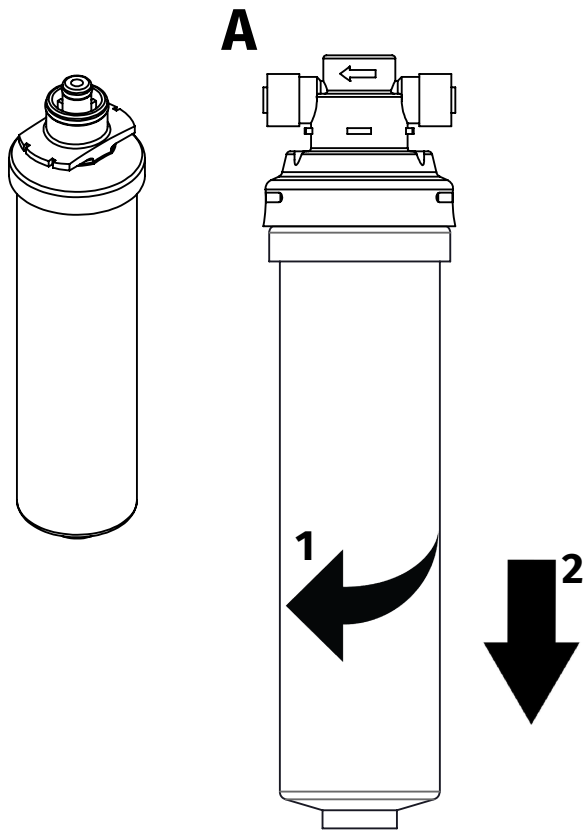
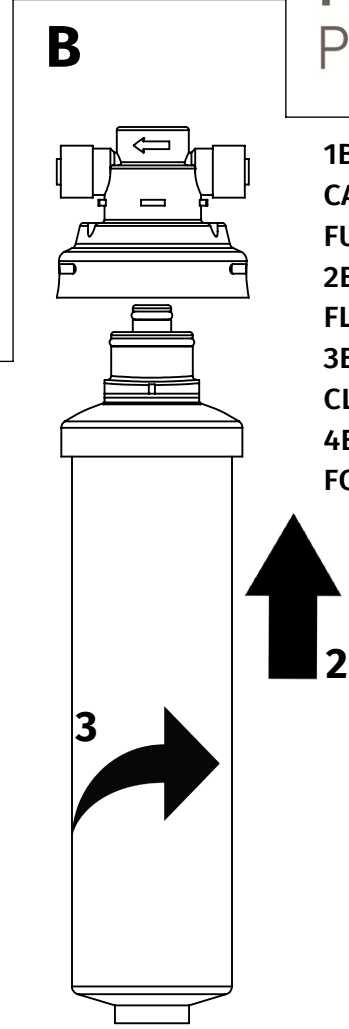
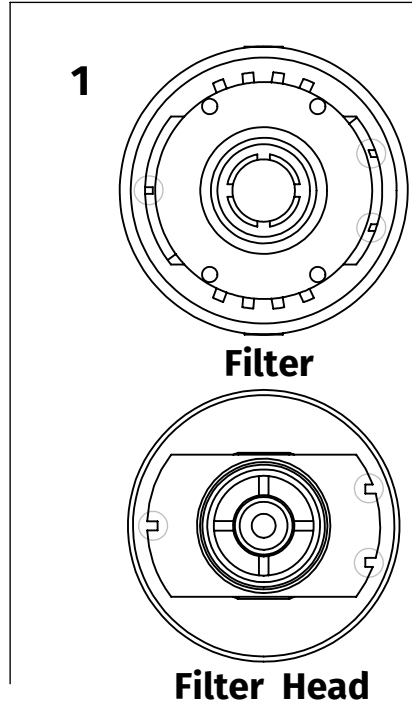


MT1250XL/RFC

MOUNTAIN PURE® POINT OF USE CARBON FILTER REPLACEMENT - INSTALLATION SHEET



- 1A. TURN OFF WATER SUPPLY
- 2A. ROTATE, BY HAND, CURRENT FILTER CARTRIDGE COUNTER-CLOCK WISE FULLY UNTIL IT STOPS
- 3A. PULL DOWN FILTER TO DETACH FROM FILTER HEAD



- 1B. ALIGN BOTH THE NEW CARTRIDGE AND HEAD TO ALLOW FULL INSERTION
- 2B. INSERT NEW CARTRIDGE UNTIL FLUSH WITH HEAD
- 3B. ROTATE NEW CARTRIDGE CLOCK WISE UNTIL IT STOPS.
- 4B. TURN ON WATER AND CHECK FOR LEAKS

WARRANTY

FOR WARRANTY INFO PLEASE VISIT WWW.MOUNTAINPLUMBING.COM/PAGE/RESOURCES/WARRANTY