

Simplify Product Selection and

Complete Your Design

We have created these easy-to-use Fixture Planning Diagrams for you to ensure nothing is forgotten in your project. Simply photocopy these pages or you can download and print the PDF's from our website, www.mountainplumbing.com. Then choose all of the items you need from our catalog or online, add the model numbers to your diagram, and order your products.

Product Order List

This lists the products from Mountain Plumbing available to accessorize your kitchen or bath fixture. The list is color coded so you know what is needed and what you can add.

Additional Angles

When needed, we show additional angles to your fixture to show products available and give you the most confidence when planning your project with Mountain Plumbing Products.

Mountain Plumbing Products

Kitchen Sink

Project Location: _____
 Date: _____
 Customer Name: _____
 Sales Order Number: _____

1. Kitchen Sink Accessories (Air Gap & Sink Hole Cover) _____
 2. Perfect Grind® Waste Disposer _____
 3. Mountain Pure® Full Flow Water Filter _____
 4. Waste Disposer Trim _____
 5. Mountain Chill® Water Chiller _____
 6. Little Gourmet® Hot Water Dispenser _____
 7. Air Switch _____
 8. Soap/Lotion Dispenser _____
 9. Accessory Faucet (Hot, Hot & Cold, Point-of-Use) _____

10. Supply Kit* _____
 11. Mountain Pure® Point-of-Use Water Filtration _____
 12. Strainer Only _____
 13. Space Saving Stealthtrap* _____

■ Mandatory ■ Not Mandatory

Need Additional Help? Visit the Mountain Plumbing Website for Our Live Customer Service Chat

Project Details

Add all project related details here to keep your project's purchasing process organized.

Detailed Diagrams

Each fixture's diagram shows all fixtures in light gray and Mountain Plumbing Products in dark gray to help put our products in context of where they go in your project's design.

Product Key

Each numbered list item is color coded depending if it is required or not required. This key shows which color means what to make the question "what do I need?" easy to answer.

How-To Use Fixture Planning Diagrams

Step 1	Identify the fixture you want accessorize. Download and print the Fixture Planning Diagram from our website or photocopy it from this Price Book.
Step 2	Fill in the project details in the top right of the Fixture Planning Diagram. This helps keep your project organized.
Step 3	Review your fixtures diagram and product list and circle the kitchen and bath products you want for your fixture.
Step 4	Use the Mountain Plumbing Fixture Table of Contents on pages 7 and 8 to browse and select your products for each kitchen and bath product you wanted in step 3. Place each product's model number in the spaces provided on your Fixture Planning Diagram.
Step 5	All done! All that's left is to order your Mountain Plumbing Products and complete your design.

Section Contents

Bathtub **17**

Freestanding Bathtub **18**

Shower Stall **19**

Bath Sink **20**

Pedestal Sink **21**

Toilet **22**

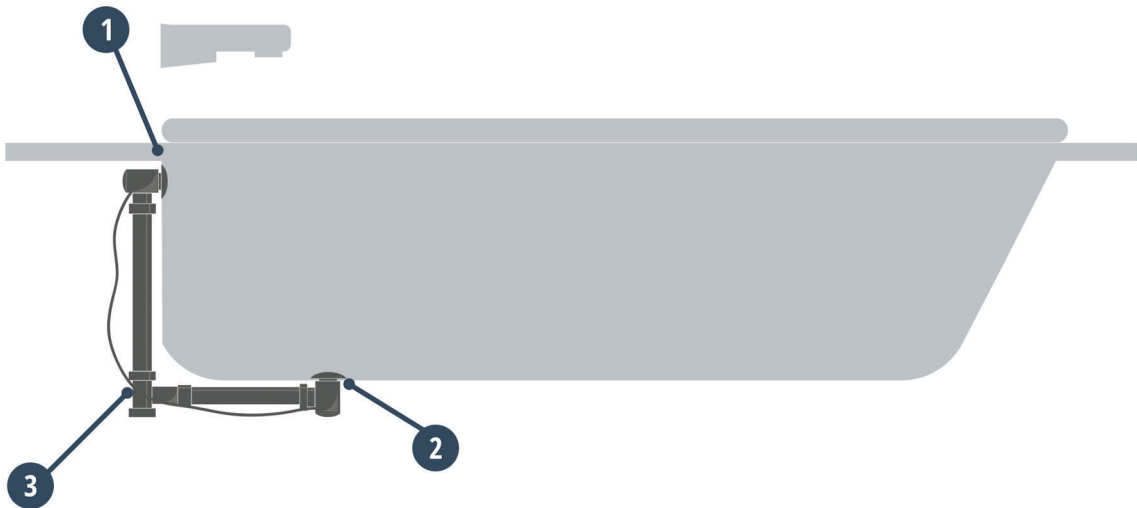
Bidet **23**

Kitchen Sink **24**

Bar/Prep Sink **25**

Project Location: _____
 Date: _____
 Customer Name: _____
 Sales Order Number: _____

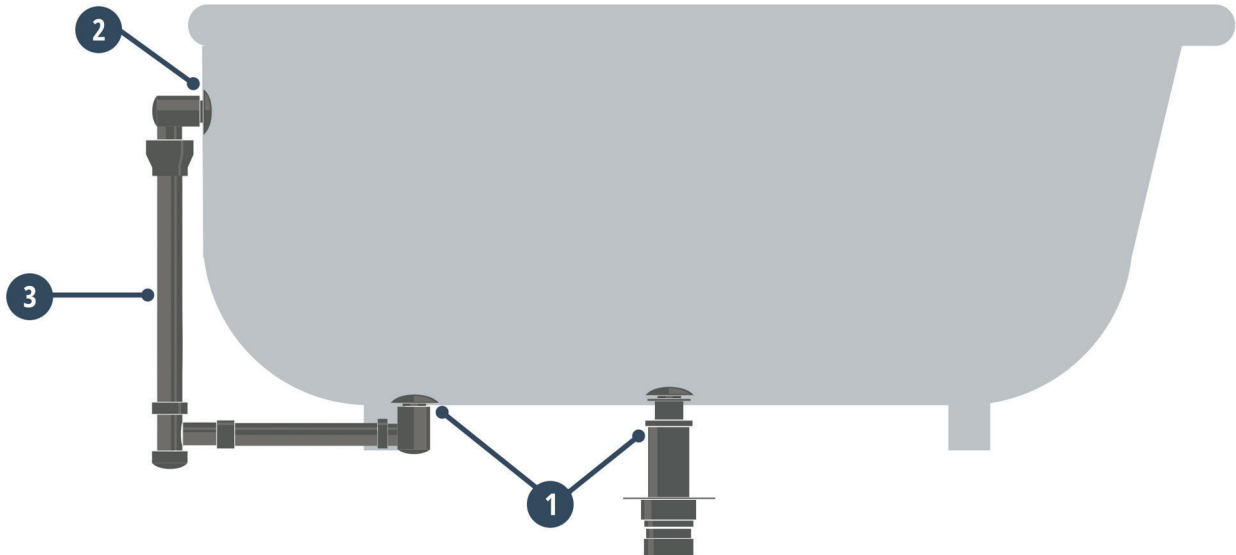
- 1. Overflow Trim _____
- 2. Drain Trim _____
- 3. Bath Waste & Overflow* _____



Mandatory
 Not Mandatory
 *Available as a Complete Kit

Project Location: _____
 Date: _____
 Customer Name: _____
 Sales Order Number: _____

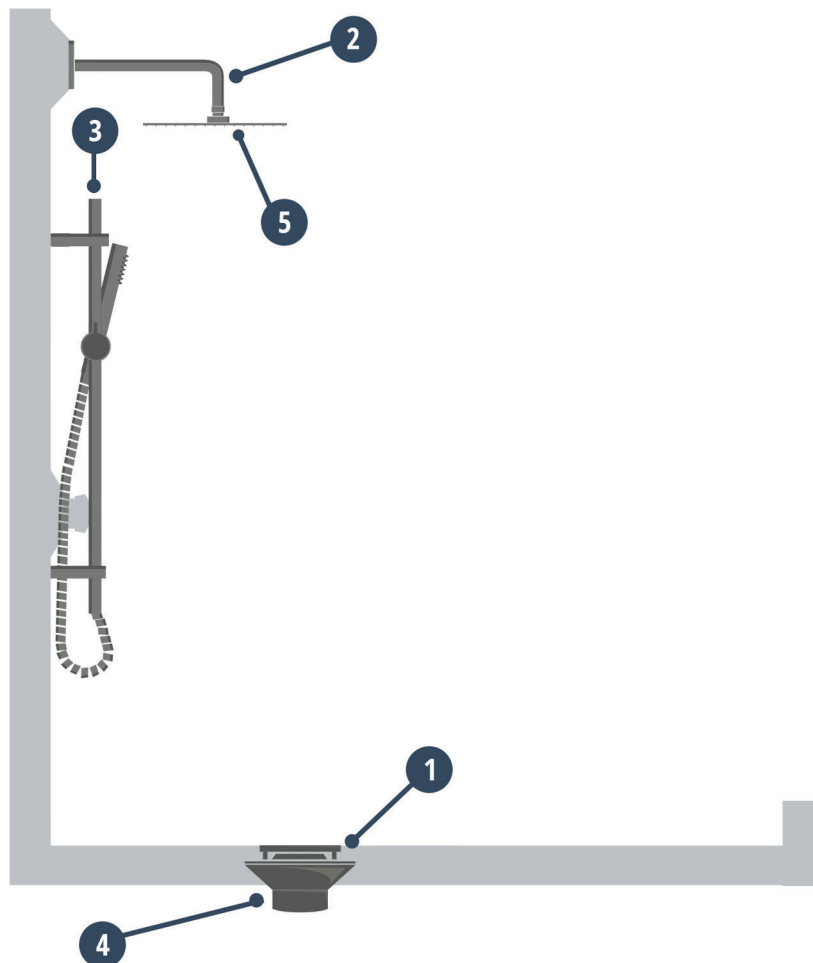
1. Drain Trim or Tub Docking Station _____
2. Overflow Trim _____
3. Bath Waste & Overflow* _____



Mandatory
 Not Mandatory
 *Available as a Complete Kit

Project Location: _____
 Date: _____
 Customer Name: _____
 Sales Order Number: _____

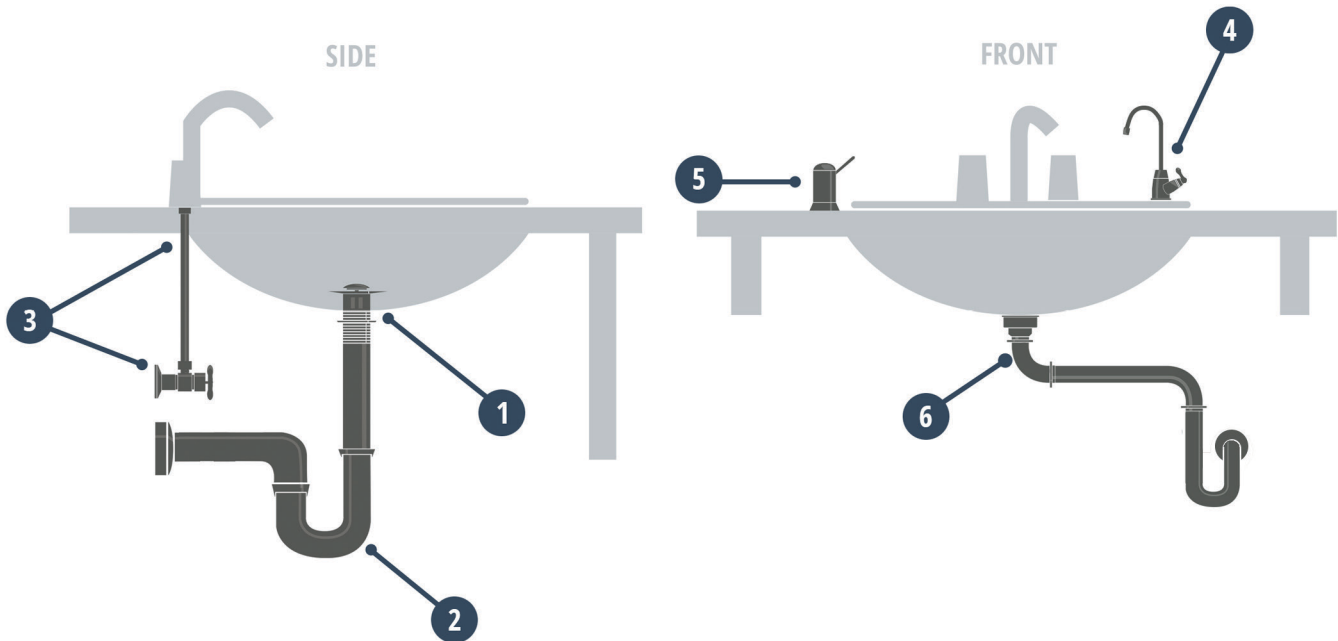
- 1. Drain Grid*** _____
- 2. Shower Arm** _____
- 3. Shower Rail & Handshower** _____
- 4. Drain Body*** _____
- 5. Shower Head** _____



Mandatory
 Not Mandatory
*Available as a Complete Kit

Project Location: _____
 Date: _____
 Customer Name: _____
 Sales Order Number: _____

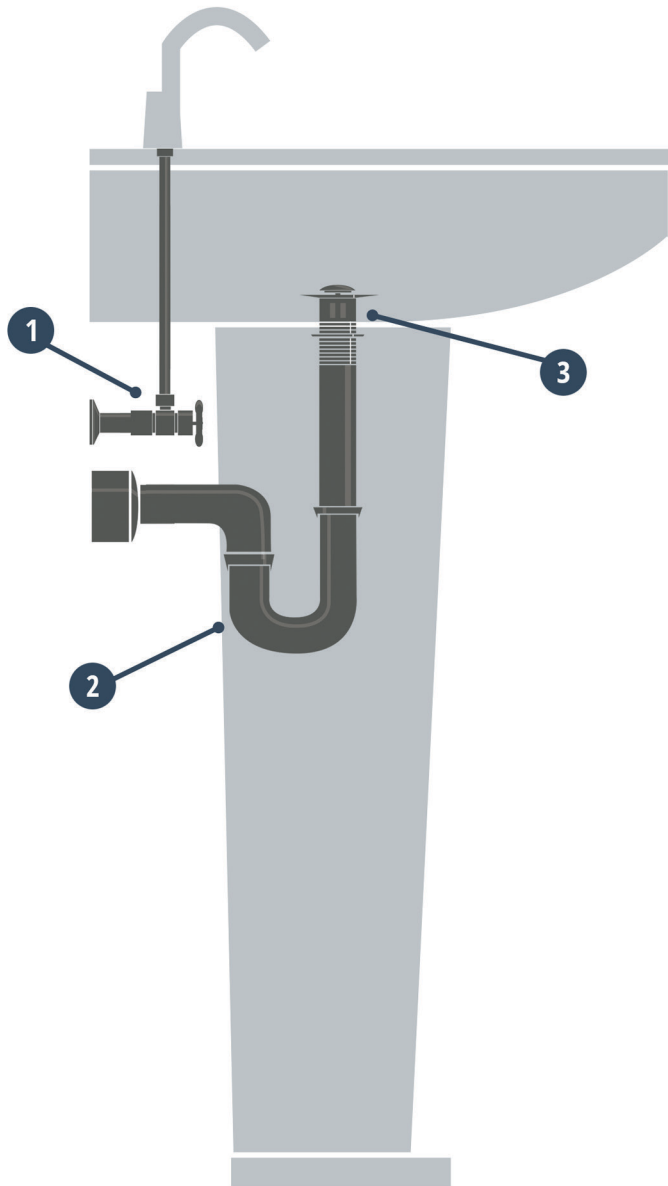
- 1. Lavatory Drain (with or without Overflow)*** _____
- 2. Lavatory Trap*** _____
- 3. Lavatory Supply Kit*** _____
- 4. Point-of-Use Faucet** _____
- 5. Soap/Lotion Dispenser** _____
- 6. Lavatory Space Saving Trap** _____



Mandatory
 Not Mandatory
*Available as a Complete Kit

Project Location: _____
 Date: _____
 Customer Name: _____
 Sales Order Number: _____

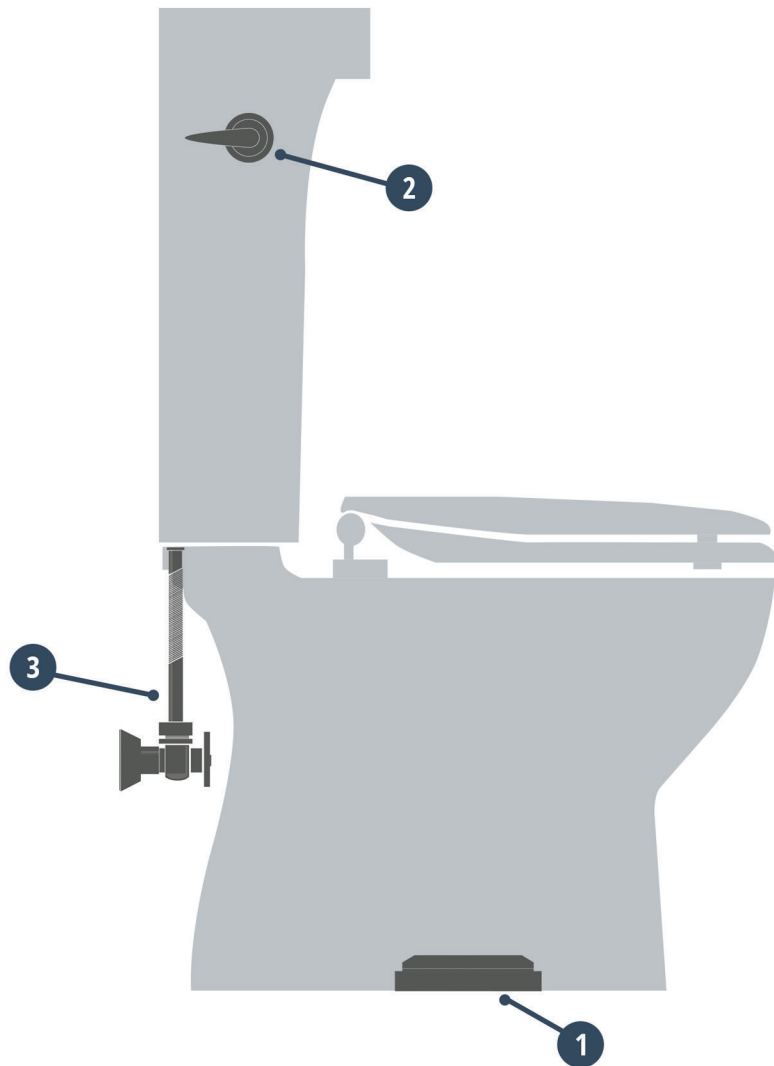
- 1. Lavatory Supply Kit** _____
- 2. Decorative Lavatory Trap** _____
- 3. Complete Lavatory Drain** _____



Mandatory
 Not Mandatory

Project Location: _____
 Date: _____
 Customer Name: _____
 Sales Order Number: _____

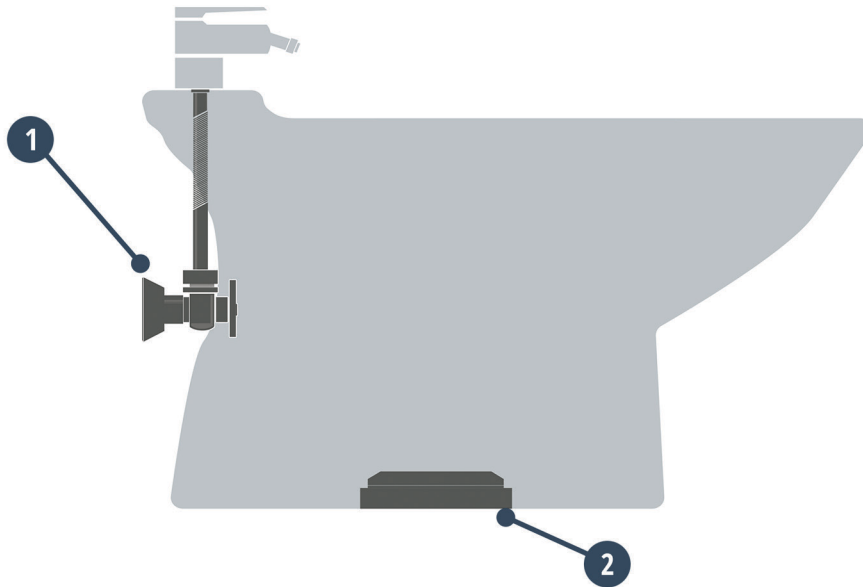
- 1. Wax Ring _____
- 2. Toilet Tank Lever _____
- 3. Toilet Supply Kit _____



■ Mandatory ■ Not Mandatory

Project Location: _____
Date: _____
Customer Name: _____
Sales Order Number: _____

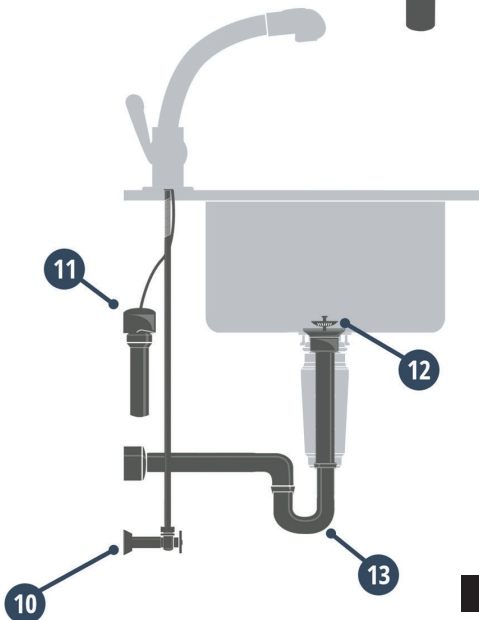
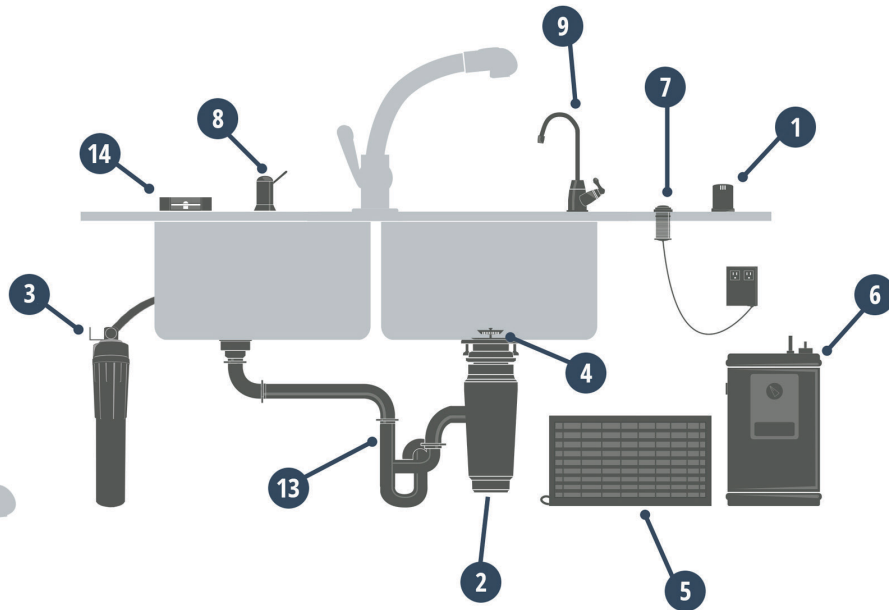
- 1. Toilet Supply Kit _____
- 2. Wax Ring _____



■ Mandatory ■ Not Mandatory

Project Location: _____
 Date: _____
 Customer Name: _____
 Sales Order Number: _____

- 1. Kitchen Sink Accessories (Air Gap & Sink Hole Cover) _____
- 2. Perfect Grind® Waste Disposer _____
- 3. Mountain Pure® Full Flow Water Filter _____
- 4. Waste Disposer Trim _____
- 5. Mountain Chill® Water Chiller _____
- 6. Little Gourmet® Hot Water Dispenser _____
- 7. Air Switch _____
- 8. Soap/Lotion Dispenser _____
- 9. Accessory Faucet (Hot, Hot & Cold, Point-of-Use) _____



- 10. Supply Kit* _____
- 11. Mountain Pure® Point-of-Use Water Filtration _____
- 12. Strainer Only _____
- 13. Space Saving Stealthtrap* _____
- 14. Countertop Glass Rinser _____

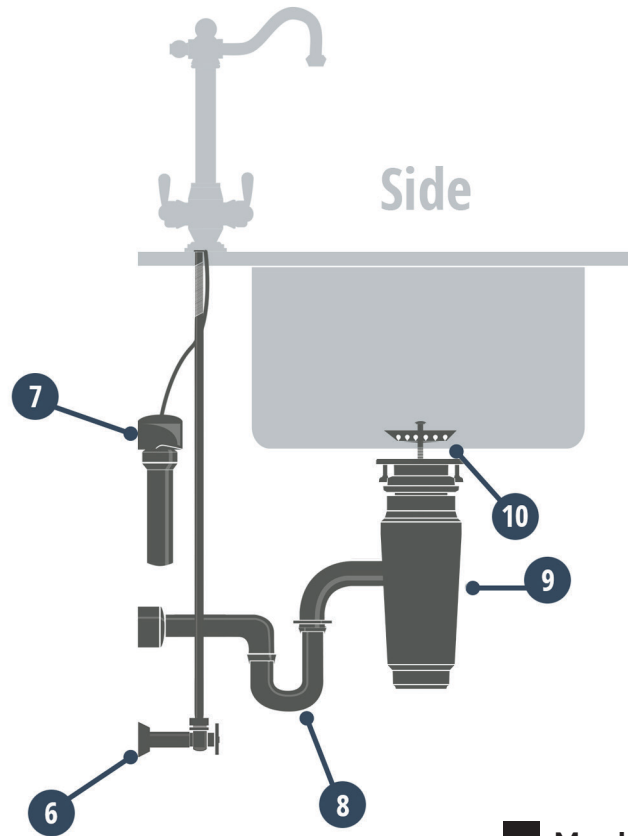
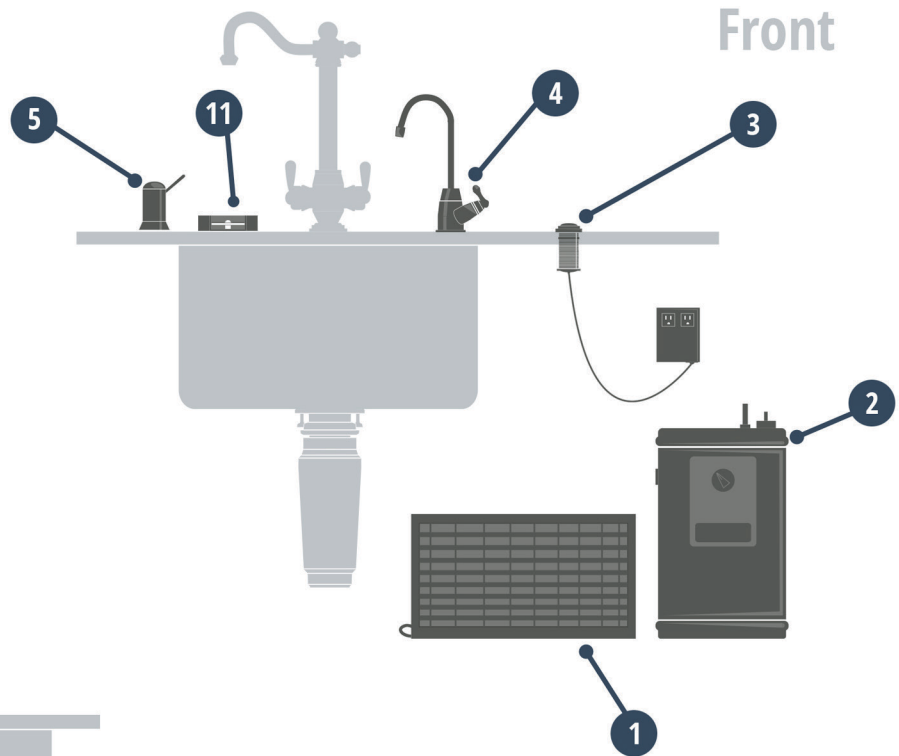
■ Mandatory

■ Not Mandatory

*Available as a Complete Kit

Project Location: _____
 Date: _____
 Customer Name: _____
 Sales Order Number: _____

- 1. Mountain Chill® Water Chiller _____
- 2. Little Gourmet® Hot Water Dispenser _____
- 3. Air Switch _____
- 4. Accessory Faucet (Hot, Hot & Cold, Point-of-Use) _____
- 5. Soap/Lotion Dispenser _____



- 6. Supply Kit* _____
- 7. Mountain Pure® Point-of-Use Water Filtration _____
- 8. Space Saving Stealthtrap* _____
- 9. Perfect Grind® Waste Disposer _____
- 10. Bar Sink Strainer _____
- 11. Countertop Glass Rinser _____

Mandatory
 Not Mandatory
 *Available as a Complete Kit