

MT3K-HF

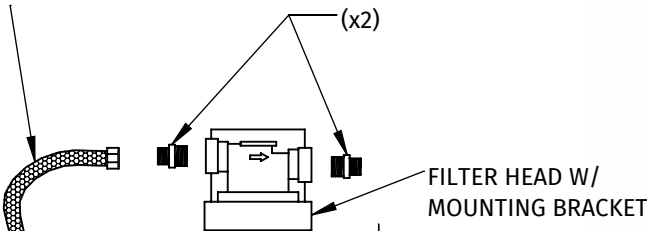
MOUNTAIN PURE® FULL FLOW FILTER SYSTEM



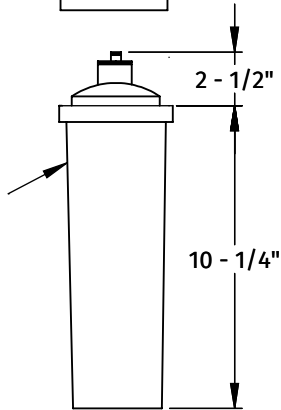
SPECIFICATION SHEET

20" BRAIDED HOSE W/
3/8" COMPRESSION
CONNECTIONS

3/8" NPT TO 3/8"
COMPRESSION ADAPTER
(x2)



MT3K-HF/RFC
(REPLACEMENT FILTER
CARTRIDGE)



MOUNTING
SCREWS x2
(#10 X 5/8")



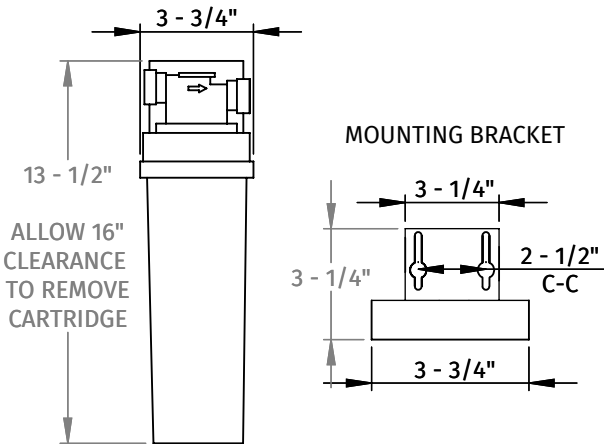
NSF CERTIFIED TO REMOVE THE FOLLOWING IMPURITIES:

- LEAD
- SEDIMENT
- ALGAE
- FOUL ODORS & TASTES
- IRON
- MOLDS
- RUST



ADDITIONAL IMPURITIES REMOVED:

- VOC
- PESTICIDES
- HYDROGEN SULFIDE
- ALUMINUM CHLORINE
- TURBIDITY
- PATHOGENIC CYSTS
- TRICHALOMETHANES
- ASBESTOS FIBERS
- SUSPENDED SOLIDS
- SUB-MICRON ASBESTOS
- MTBE
- PFAS



- **FLOW RATE:** CONTROLLED AT 1.67 GPM
- **TEMPERATURE:** 35 - 100 °F (2-38 °C) COLD WATER USE ONLY
- **PRESSURE:** 10-125 PSI (0.7-8.6 BAR) NON SHOCK
- **CAPACITY:** 3000 GALLONS (11,356 L)
- UTILIZES POWDERED ACTIVATED CARBON AND LEAD ABSORBENT MEDIA
- ANTI-SCALE MEDIA TO PROTECT AGAINST SCALE BUILD UP IN FAUCET AND HOT TANK (SOLD SEPARATELY)
- 3,000 GALLON CAPACITY (APPROX. 6 MONTHS BASED ON AVERAGE USAGE)
- OPERATES WITHOUT WASTING WATER LIKE R.O. SYSTEMS
- 20" HOSE AND MOUNTING HARDWARE INCLUDED
- NSF CERTIFIED STANDARDS 42 AND 53

WARRANTY

FOR WARRANTY INFO PLEASE VISIT WWW.MOUNTAINPLUMBING.COM/PAGE/RESOURCES/WARRANTY

FINISH CARE & MAINTENANCE

NEVER USE ANY HARSH ALKALI, ACID BASED DETERGENTS OR CLEANERS SUCH AS SOFT SCRUB®, SCRUBBING BUBBLES® OR COMET® TO CLEAN. DO NOT USE BRILLO® OR SCOTCH BRITE® PADS. THESE WILL ALL HARM THE FINISH. TO CLEAN, USE ONLY A DAMP SOFT CLOTH AND WIPE GENTLY. STANDARD WINDEX® CAN ALSO BE USED SPARINGLY. IT IS NOT NECESSARY TO WIPE HARD TO REMOVE SPOTS. TO MAINTAIN THE FINISH, WIPE WITH A SOFT DRY CLOTH AFTER USE. AN OCCASIONAL COAT OF PURE CARNAUBA WAX WITHOUT CLEANERS WILL HELP PROTECT THE FINISH.

SPECIFICATIONS SUBJECT TO CHANGE WITHOUT NOTICE