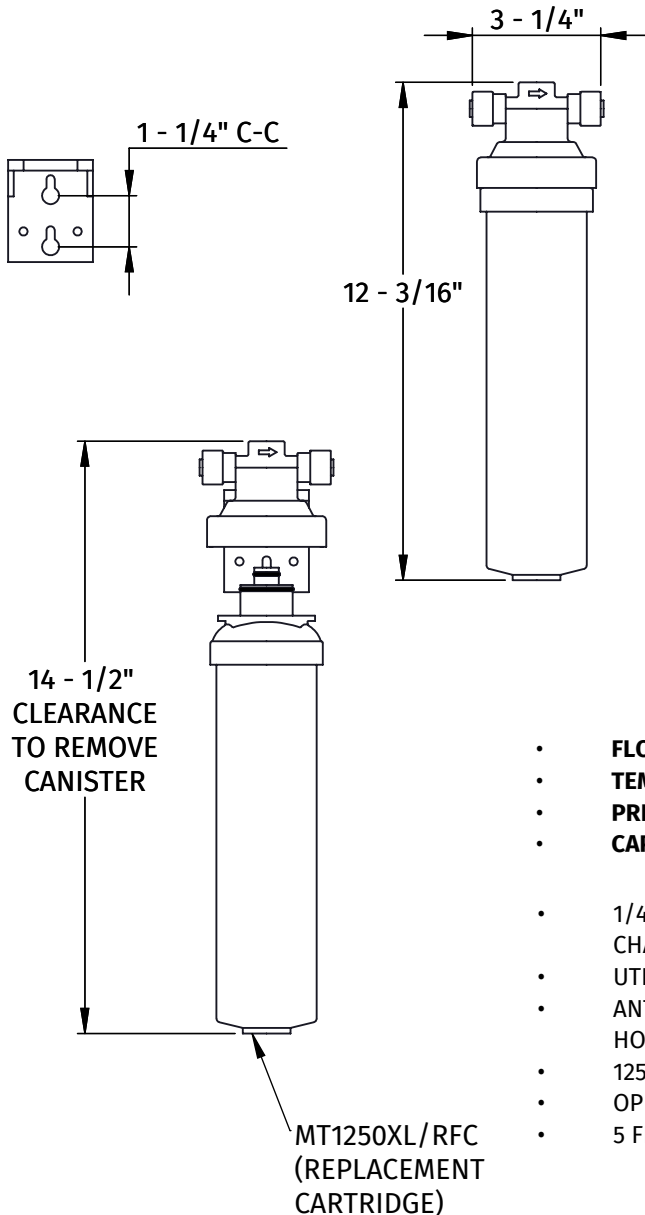


MT1250XL

MOUNTAIN PURE® FULL FLOW FILTER SYSTEM

SPECIFICATION SHEET



NSF CERTIFIED TO REMOVE THE FOLLOWING IMPURITIES:

LEAD
SEDIMENT
ALGAE
FOUL ODORS & TASTES
IRON
MOLDS
RUST

ADDITIONAL IMPURITIES REMOVED:

VOC
PESTICIDES
HYDROGEN SULFIDE
ALUMINUM CHLORINE
TURBIDITY
PATHOGENIC CYSTS
TRICHALOMETHANES
ASBESTOS FIBERS
SUSPENDED SOLIDS
SUB-MICRON ASBESTOS
MTBE
PFAS



- **FLOW RATE:** CONTROLLED AT 0.5 GPM
- **TEMPERATURE:** 35 - 100 °F (2-38 °C) COLD WATER USE ONLY
- **PRESSURE:** 10-125 PSI (0.7-8.6 BAR) NON SHOCK
- **CAPACITY:** 1250 GALLONS (4,732 L)
- 1/4 TURN AUTOMATIC SHUTOFF VALVE ALLOWS FOR EASIER CARTRIDGE CHANGES
- UTILIZES POWDERED ACTIVATED CARBON AND LEAD ABSORBENT MEDIA
- ANTI-SCALE MEDIA TO PROTECT AGAINST SCALE BUILD UP IN FAUCET AND HOT TANK (SOLD SEPARATELY)
- 1250 GALLON CAPACITY (APPROX. ONE YEAR BASED ON AVERAGE USAGE)
- OPERATED WITHOUT WASTING WATER LIKE R.O. SYSTEMS
- 5 FEET OF 1/4" TUBING INCLUDED

WARRANTY

FOR WARRANTY INFO PLEASE VISIT WWW.MOUNTAINPLUMBING.COM/PAGE/RESOURCES/WARRANTY

FINISH CARE & MAINTENANCE

NEVER USE ANY HARSH ALKALI, ACID BASED DETERGENTS OR CLEANERS SUCH AS SOFT SCRUB®, SCRUBBING BUBBLES® OR COMET® TO CLEAN. DO NOT USE BRILLO® OR SCOTCH BRITE® PADS. THESE WILL ALL HARM THE FINISH. TO CLEAN, USE ONLY A DAMP SOFT CLOTH AND WIPE GENTLY. STANDARD WINDEX® CAN ALSO BE USED SPARINGLY. IT IS NOT NECESSARY TO WIPE HARD TO REMOVE SPOTS. TO MAINTAIN THE FINISH, WIPE WITH A SOFT DRY CLOTH AFTER USE. AN OCCASIONAL COAT OF PURE CARNAUBA WAX WITHOUT CLEANERS WILL HELP PROTECT THE FINISH.