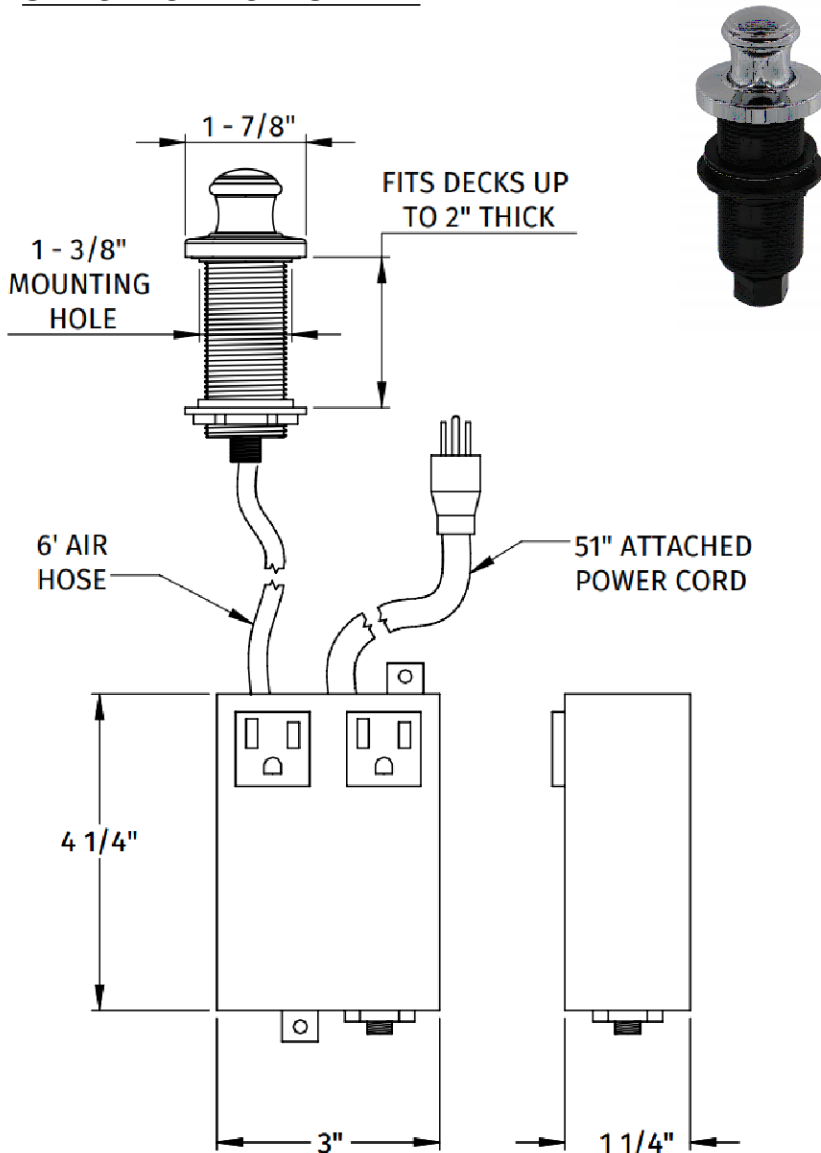


MT964T

**ROUND "DELUXE"
TRADITIONAL RAISED WASTE
DISPOSER AIR SWITCH WITH
FREEDOM MOUNT**



SPECIFICATION SHEET



- INCLUDES DELUXE AIR SWITCH BUTTON, AIR HOSE, ELECTRICAL BOX, & ATTACHED POWER CABLE
- REQUIRES 1-3/8" MOUNTING HOLE
- WILL FIT UP TO 2" THICK DECK
- SOLID BRASS BUTTON & FLANGE
- BOX MOUNTING HARDWARE NOT INCLUDED

WARRANTY

FOR WARRANTY INFO PLEASE VISIT WWW.MOUNTAINPLUMBING.COM/PAGE/RESOURCES/WARRANTY

FINISH CARE & MAINTENANCE

NEVER USE ANY HARSH ALKALI, ACID BASED DETERGENTS OR CLEANERS SUCH AS SOFT SCRUB®, SCRUBBING BUBBLES® OR COMET® TO CLEAN. DO NOT USE BRILLO® OR SCOTCH BRITE® PADS. THESE WILL ALL HARM THE FINISH. TO CLEAN, USE ONLY A DAMP SOFT CLOTH AND WIPE GENTLY. STANDARD WINDEX® CAN ALSO BE USED SPARINGLY. IT IS NOT NECESSARY TO WIPE HARD TO REMOVE SPOTS. TO MAINTAIN THE FINISH, WIPE WITH A SOFT DRY CLOTH AFTER USE. AN OCCASIONAL COAT OF PURE CARNAUBA WAX WITHOUT CLEANERS WILL HELP PROTECT THE FINISH.

SPECIFICATIONS SUBJECT TO CHANGE WITHOUT NOTICE

www.mountainplumbing.com 888-222-9140 fax 972-456-2719