

MT616-NL

CROSS HANDLE ANGLE VALVE

SPECIFICATION SHEET

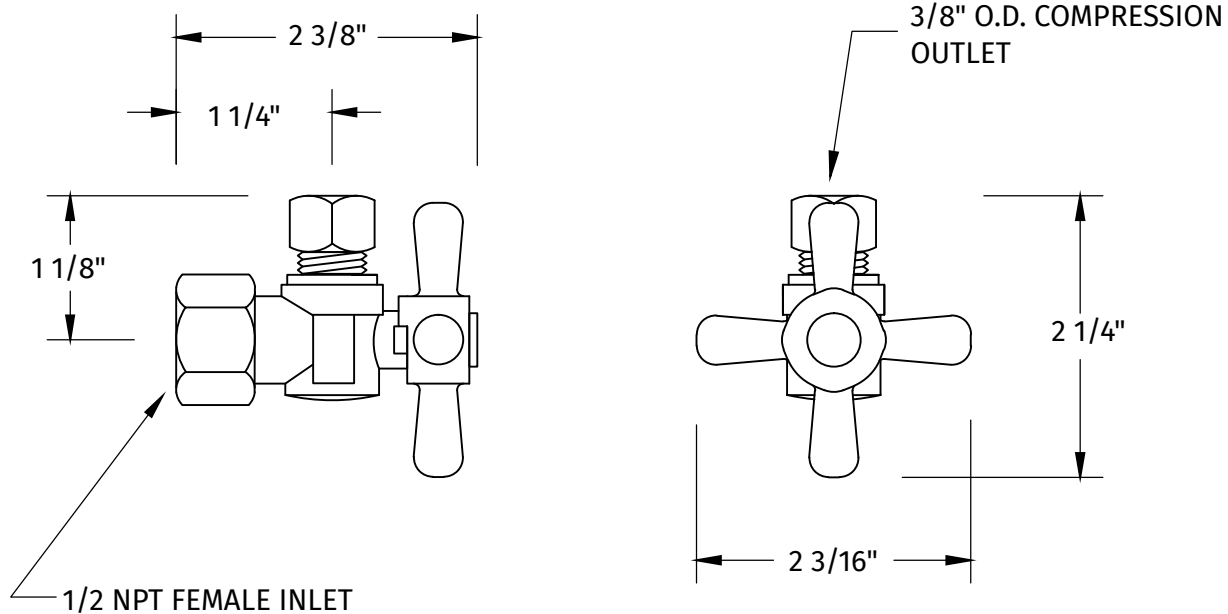
- 1/2 NPT FEMALE INLET
- 1/4 TURN LONG LIFE BALL VALVE WITH TEFLON SEATS
- 3/8" O.D. COMPRESSION OUTLET
- QUALITY BRASS CROSS HANDLE
- OFFERED IN MANY FINISHES
- OTHER FINISHES AVAILABLE UPON REQUEST
- LEAD FREE IN COMPLIANCE WITH NSF 372



A McAlpine Company

Mountain

Plumbing Products



WARRANTY

FOR WARRANTY INFO PLEASE VISIT WWW.MOUNTAINPLUMBING.COM/PAGE/RESOURCES/WARRANTY

FINISH CARE & MAINTENANCE

NEVER USE ANY HARSH ALKALI, ACID BASED DETERGENTS OR CLEANERS SUCH AS SOFT SCRUB®, SCRUBBING BUBBLES® OR COMET® TO CLEAN. DO NOT USE BRILLO® OR SCOTCH BRITE® PADS. THESE WILL ALL HARM THE FINISH. TO CLEAN, USE ONLY A DAMP SOFT CLOTH AND WIPE GENTLY. STANDARD WINDEX® CAN ALSO BE USED SPARINGLY. IT IS NOT NECESSARY TO WIPE HARD TO REMOVE SPOTS. TO MAINTAIN THE FINISH, WIPE WITH A SOFT DRY CLOTH AFTER USE. AN OCCASIONAL COAT OF PURE CARNAUBA WAX WITHOUT CLEANERS WILL HELP PROTECT THE FINISH.

SPECIFICATIONS SUBJECT TO CHANGE WITHOUT NOTICE