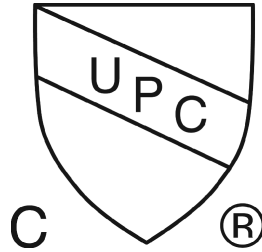


# MT501C-ROUGH

## CAST IRON RECTANGULAR SHOWER DRAIN ROUGH

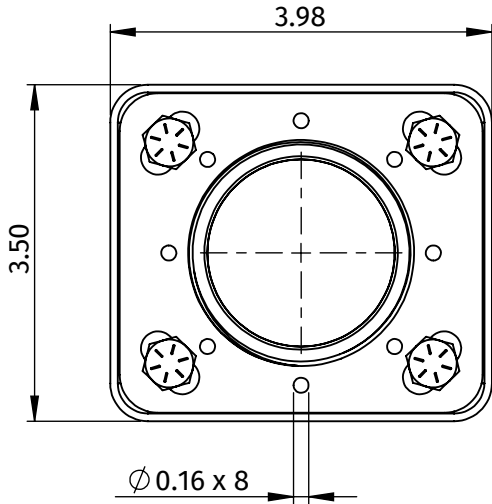
### SPECIFICATION SHEET



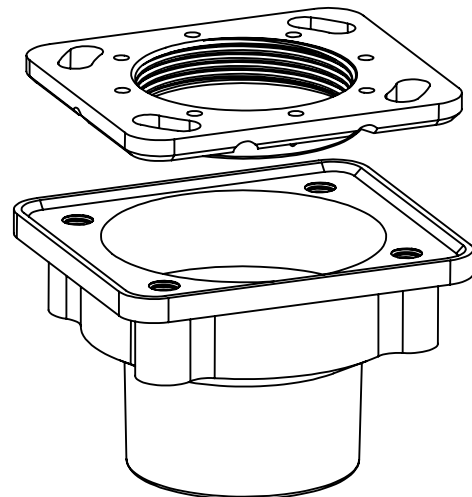
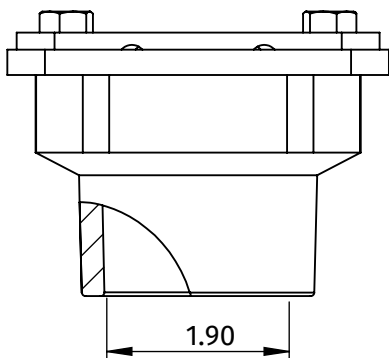
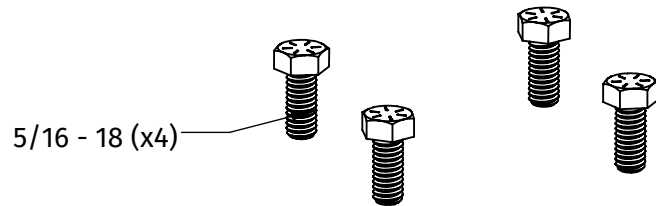
A McAlpine Company

# Mountain

Plumbing Products



- 4" L x 3-1/2" W x 2-3/4" H OVERALL DIMENSIONS
- FITS SHOWER DRAINS WITH 2 - 11 1/2 NPSM THREAD
- CAST IRON SUB DRAIN & CLAMPING RING
- 2" NO HUB OUTLET CONNECTION
- ALLOWS INSTALLATION OF LINEAR DRAINS ADJACENT TO WALL OR CORNER
- HAS WEEP HOLES



#### WARRANTY

FOR WARRANTY INFO PLEASE VISIT [WWW.MOUNTAINPLUMBING.COM/PAGE/RESOURCES/WARRANTY](http://WWW.MOUNTAINPLUMBING.COM/PAGE/RESOURCES/WARRANTY)

#### FINISH CARE & MAINTENANCE

NEVER USE ANY HARSH ALKALI, ACID BASED DETERGENTS OR CLEANERS SUCH AS SOFT SCRUB®, SCRUBBING BUBBLES® OR COMET® TO CLEAN. DO NOT USE BRILLO® OR SCOTCH BRITE® PADS. THESE WILL ALL HARM THE FINISH. TO CLEAN, USE ONLY A DAMP SOFT CLOTH AND WIPE GENTLY. STANDARD WINDEX® CAN ALSO BE USED SPARINGLY. IT IS NOT NECESSARY TO WIPE HARD TO REMOVE SPOTS. TO MAINTAIN THE FINISH, WIPE WITH A SOFT DRY CLOTH AFTER USE. AN OCCASIONAL COAT OF PURE CARNAUBA WAX WITHOUT CLEANERS WILL HELP PROTECT THE FINISH.

SPECIFICATIONS SUBJECT TO CHANGE WITHOUT NOTICE