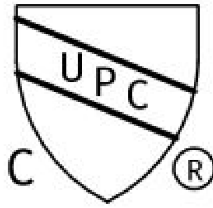


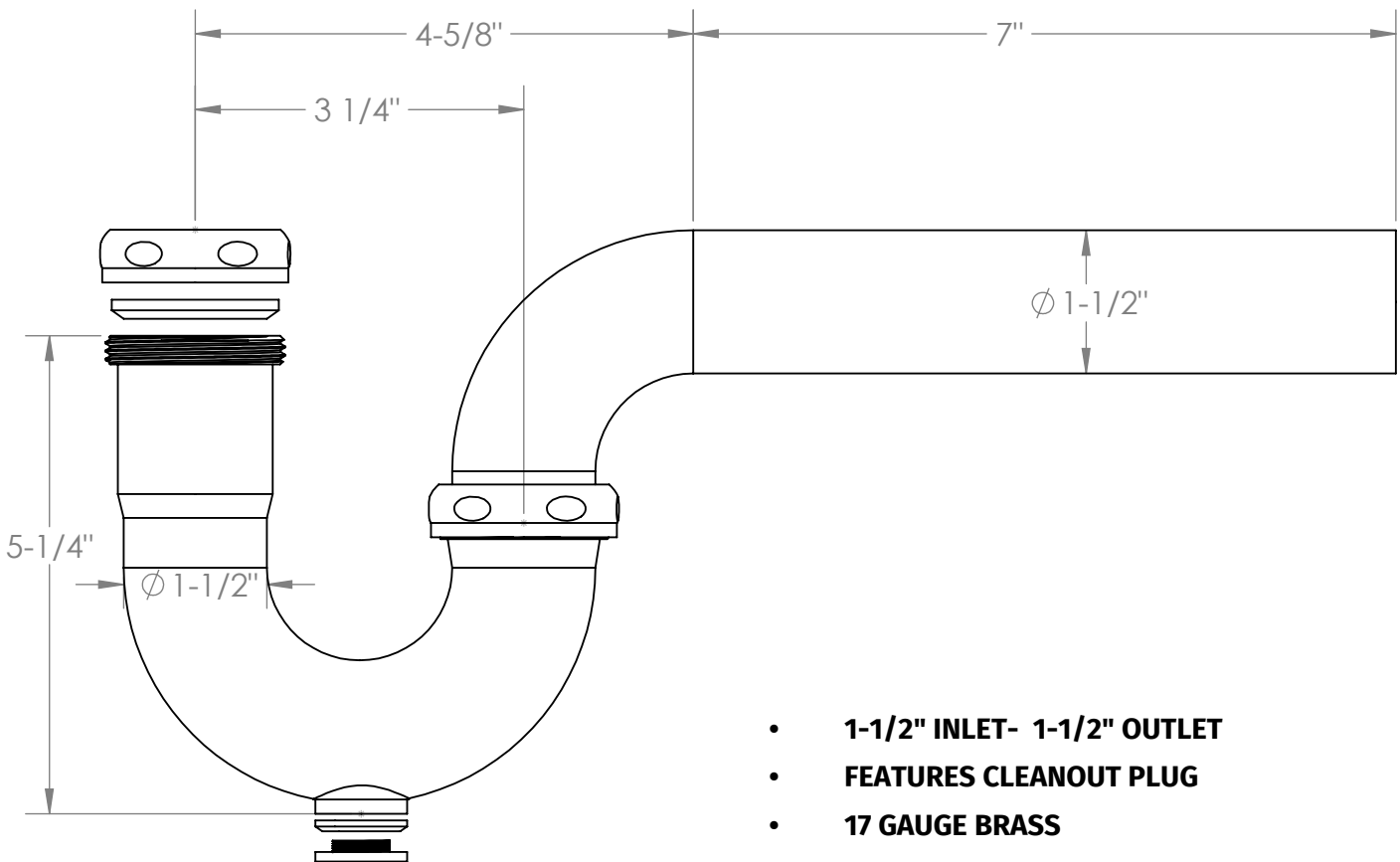
MT305X

**1-1/2" P-TRAP
TRADITIONAL STYLE WITH
CLEAN-OUT PLUG**



Mountain
Plumbing Products

SPECIFICATION SHEET



- **1-1/2" INLET- 1-1/2" OUTLET**
- **FEATURES CLEANOUT PLUG**
- **17 GAUGE BRASS**
- **FULLY PLATED FOR EXPOSED APPLICATIONS**
- **INCLUDES REDUCING WASHER FOR 1-1/4" LAVATORY TAILPIECE**

WARRANTY

FOR WARRANTY INFO PLEASE VISIT WWW.MOUNTAINPLUMBING.COM/PAGE/RESOURCES/WARRANTY

FINISH CARE & MAINTENANCE

NEVER USE ANY HARSH ALKALI, ACID BASED DETERGENTS OR CLEANERS SUCH AS SOFT SCRUB®, SCRUBBING BUBBLES® OR COMET® TO CLEAN. DO NOT USE BRILLO® OR SCOTCH BRITE® PADS. THESE WILL ALL HARM THE FINISH. TO CLEAN, USE ONLY A DAMP SOFT CLOTH AND WIPE GENTLY. STANDARD WINDEX® CAN ALSO BE USED SPARINGLY. IT IS NOT NECESSARY TO WIPE HARD TO REMOVE SPOTS. TO MAINTAIN THE FINISH, WIPE WITH A SOFT DRY CLOTH AFTER USE. AN OCCASIONAL COAT OF PURE CARNAUBA WAX WITHOUT CLEANERS WILL HELP PROTECT THE FINISH.

SPECIFICATIONS SUBJECT TO CHANGE WITHOUT NOTICE