

# MT302X

## 1-1/2" P-TRAP TRADITIONAL STYLE

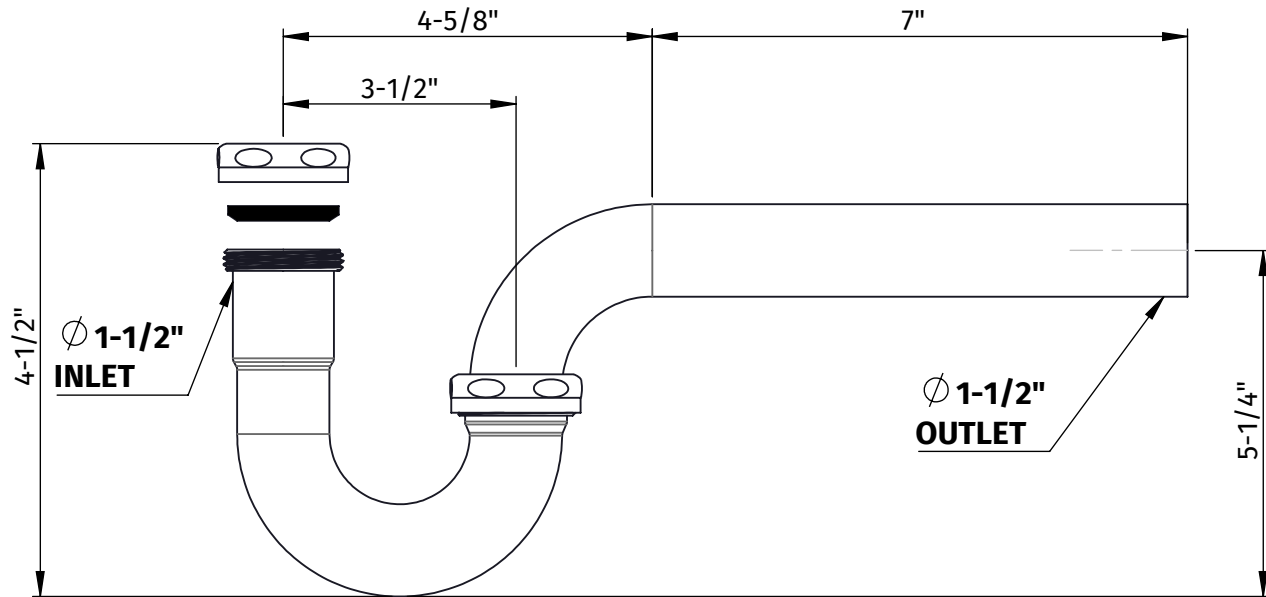
### SPECIFICATION SHEET



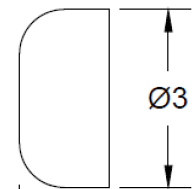
A McAlpine Company

# Mountain

Plumbing Products



**MT314X**  
OPTIONAL HIGH  
BOX FLANGE



- $\phi$  1-1/4" INLET AND OUTLET
- INCLUDES REDUCER WASHER TO CONNECT TO 1-1/2" WALL DRAIN
- DESIGNED FOR EXPOSED APPLICATIONS
- 17 GAUGE BRASS

1 3/4"



#### WARRANTY

FOR WARRANTY INFO PLEASE VISIT [WWW.MOUNTAINPLUMBING.COM/WARRANTY-CLAIMS](http://WWW.MOUNTAINPLUMBING.COM/WARRANTY-CLAIMS)

#### FINISH CARE & MAINTENANCE

NEVER USE ANY HARSH ALKALI, ACID BASED DETERGENTS OR CLEANERS SUCH AS SOFT SCRUB®, SCRUBBING BUBBLES® OR COMET® TO CLEAN. DO NOT USE BRILLO® OR SCOTCH BRITE® PADS. THESE WILL ALL HARM THE FINISH. TO CLEAN, USE ONLY A DAMP SOFT CLOTH AND WIPE GENTLY. STANDARD WINDEX® CAN ALSO BE USED SPARINGLY. IT IS NOT NECESSARY TO WIPE HARD TO REMOVE SPOTS. TO MAINTAIN THE FINISH, WIPE WITH A SOFT DRY CLOTH AFTER USE. AN OCCASIONAL COAT OF PURE CARNAUBA WAX WITHOUT CLEANERS WILL HELP PROTECT THE FINISH.

SPECIFICATIONS SUBJECT TO CHANGE WITHOUT NOTICE