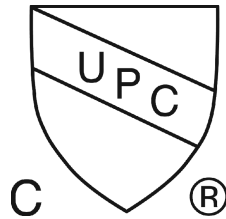
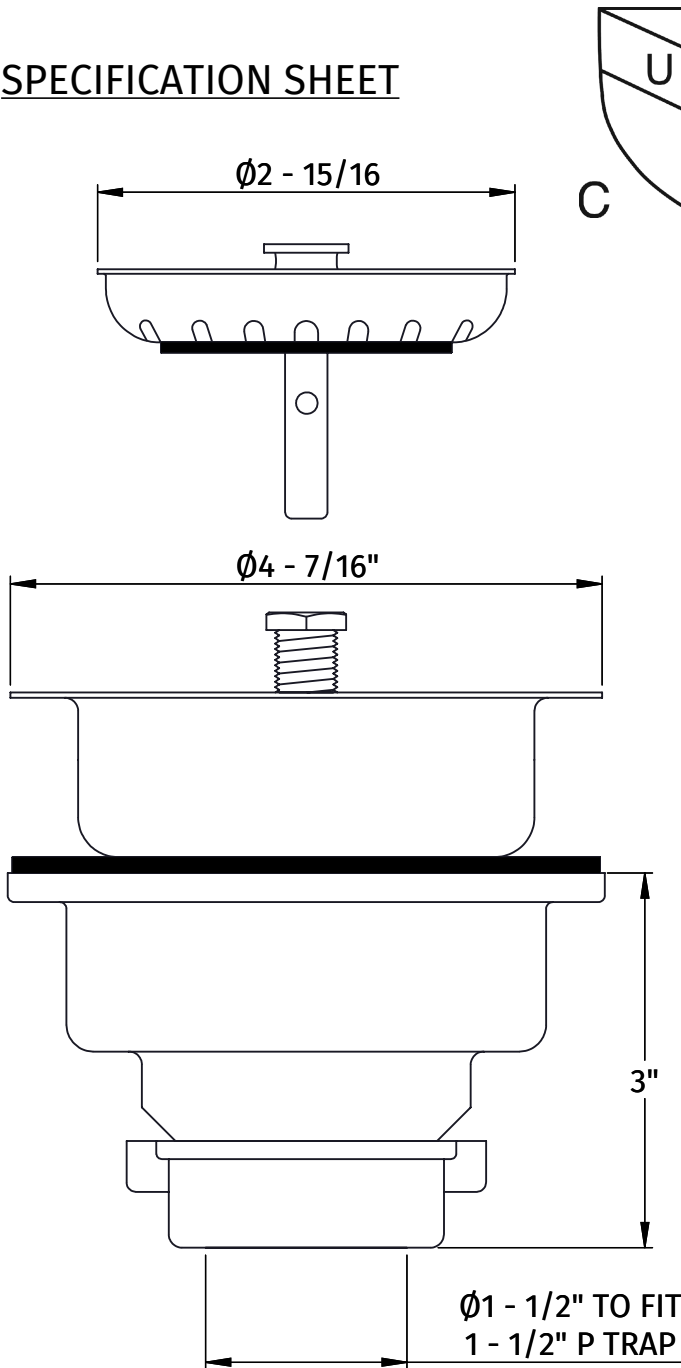


BWSTUG

3-1/2" PLASTIC MOLDED STEMBALL KITCHEN SINK STRAINER FOR GRANITE SINKS

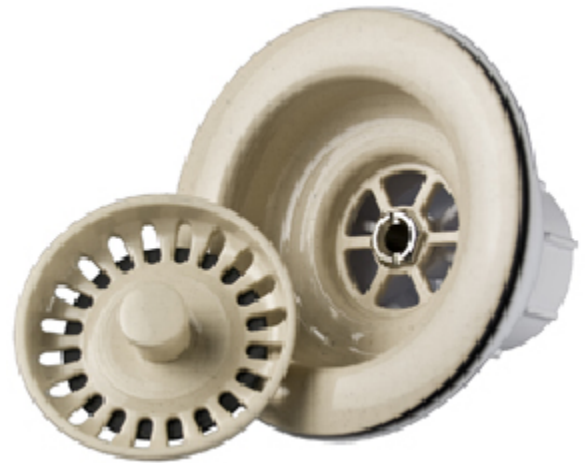
SPECIFICATION SHEET



A McAlpine Company

Mountain

Plumbing Products



- WILL FIT STANDARD $\text{Ø}3 - 1/2$ " DRAIN OPENING
- PBT PLASTIC MOLDED FLANGE & STRAINER
- POLYPROPYLENE STRAINER BODY WON'T CORRODE
- SPRING-LOADED STAINLESS STEEL POST ALLOWS FOR SMOOTH OPERATION
- FITS SINKS UP TO $7/8$ " THICK (FOR THICKER SINKS, ORDER BRBOLT/90 TO ALLOW UP TO $2 - 3/4$ " THICKNESS)

WARRANTY

FOR WARRANTY INFO PLEASE VISIT WWW.MOUNTAINPLUMBING.COM/PAGE/RESOURCES/WARRANTY

FINISH CARE & MAINTENANCE

NEVER USE ANY HARSH ALKALI, ACID BASED DETERGENTS OR CLEANERS SUCH AS SOFT SCRUB®, SCRUBBING BUBBLES® OR COMET® TO CLEAN. DO NOT USE BRILLO® OR SCOTCH BRITE® PADS. THESE WILL ALL HARM THE FINISH. TO CLEAN, USE ONLY A DAMP SOFT CLOTH AND WIPE GENTLY. STANDARD WINDEX® CAN ALSO BE USED SPARINGLY. IT IS NOT NECESSARY TO WIPE HARD TO REMOVE SPOTS. TO MAINTAIN THE FINISH, WIPE WITH A SOFT DRY CLOTH AFTER USE. AN OCCASIONAL COAT OF PURE CARNAUBA WAX WITHOUT CLEANERS WILL HELP PROTECT THE FINISH.

SPECIFICATIONS SUBJECT TO CHANGE WITHOUT NOTICE

www.mountainplumbing.com 888-222-9140 fax 972-456-2719

1/12/24

form BWSTUG spec sht