

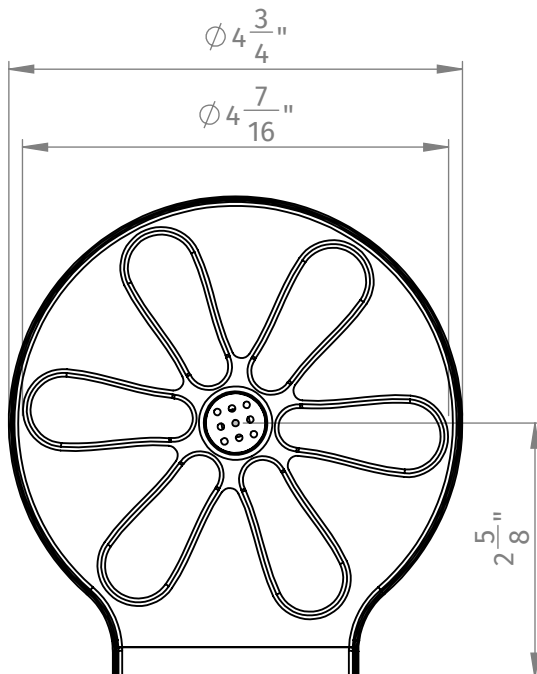
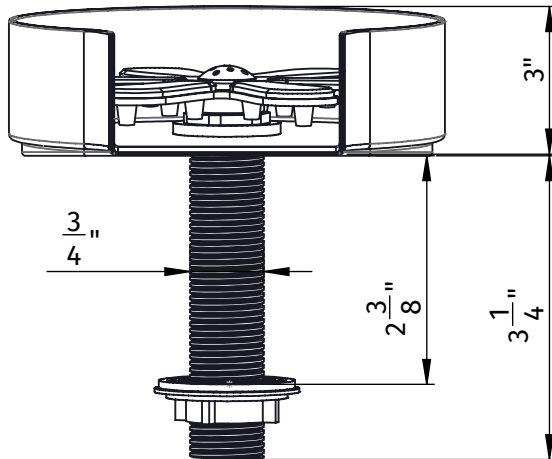
# MT250

**CUP RINSER - STAINLESS  
STEEL BODY WITH COVER**

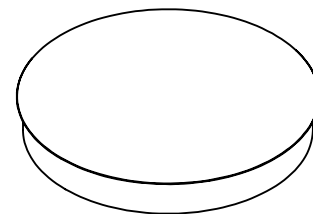
## SPECIFICATION SHEET



Mountain  
Plumbing Products



- Can Connect to Hot or Cold Water Supply
- Tee Adapter Included
- 2 -1/2" Braided Hose Included



MT250-C (SS Cover) Included

### **WARRANTY**

FOR WARRANTY INFO PLEASE VISIT [WWW.MOUNTAINPLUMBING.COM/WARRANTY-CLAIMS](http://WWW.MOUNTAINPLUMBING.COM/WARRANTY-CLAIMS)

### **FINISH CARE & MAINTENANCE**

NEVER USE ANY HARSH ALKALI, ACID BASED DETERGENTS OR CLEANERS SUCH AS SOFT SCRUB®, SCRUBBING BUBBLES® OR COMET® TO CLEAN. DO NOT USE BRILLO® OR SCOTCH BRITE® PADS. THESE WILL ALL HARM THE FINISH. TO CLEAN, USE ONLY A DAMP SOFT CLOTH AND WIPE GENTLY. STANDARD WINDEX® CAN ALSO BE USED SPARINGLY. IT IS NOT NECESSARY TO WIPE HARD TO REMOVE SPOTS. TO MAINTAIN THE FINISH, WIPE WITH A SOFT DRY CLOTH AFTER USE. AN OCCASIONAL COAT OF PURE CARNAUBA WAX WITHOUT CLEANERS WILL HELP PROTECT THE FINISH.

SPECIFICATIONS SUBJECT TO CHANGE WITHOUT NOTICE