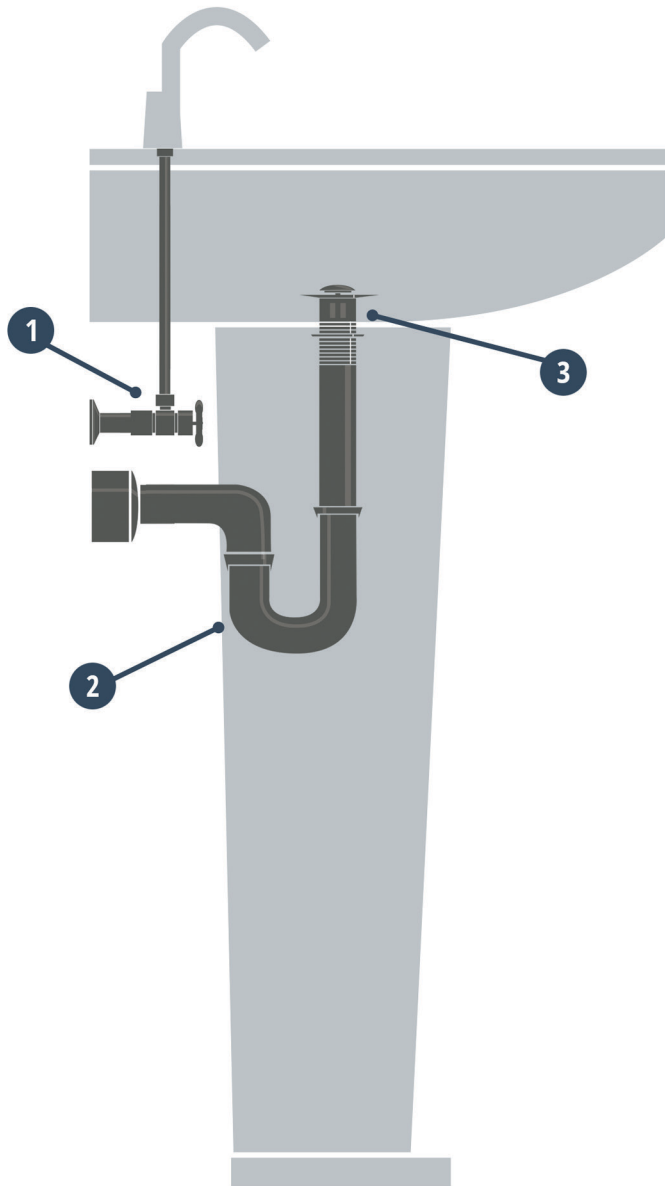


Project Location: \_\_\_\_\_  
 Date: \_\_\_\_\_  
 Customer Name: \_\_\_\_\_  
 Sales Order Number: \_\_\_\_\_

- 1. Lavatory Supply Kit \_\_\_\_\_
- 2. Decorative Lavatory Trap \_\_\_\_\_
- 3. Complete Lavatory Drain \_\_\_\_\_



Mandatory
  Not Mandatory