

# BDWOF-DS

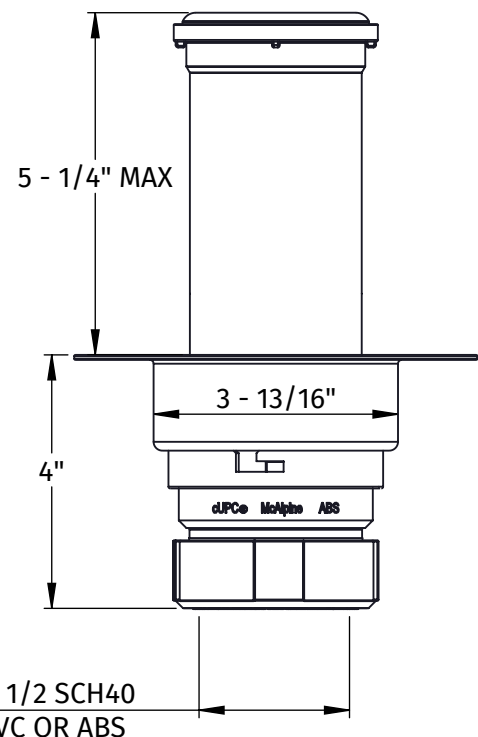
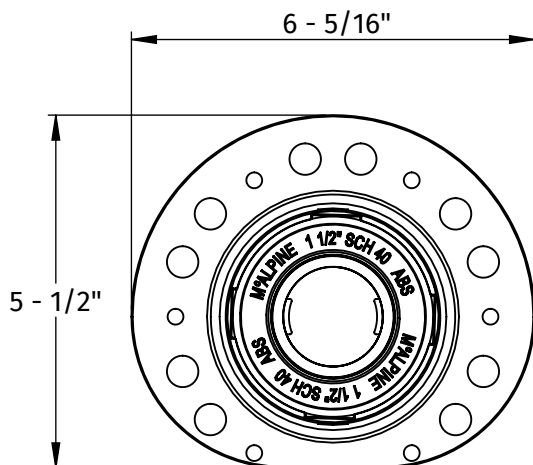
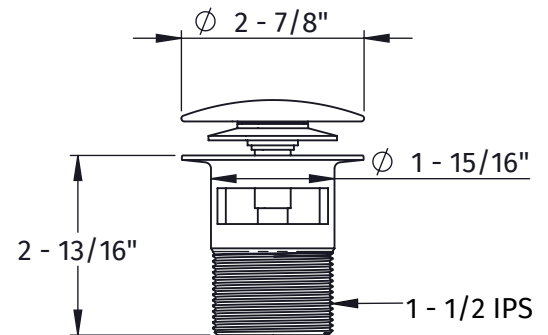
## ROUGH-IN & DRAIN FOR FREE-STANDING TUBS



A McAlpine Company  
**Mountain**  
Plumbing Products

### SPECIFICATION SHEET

- SIMPLIFIES INSTALLATION OF FREE-STANDING TUBS
- INCLUDES SNAKEABLE EZ-CLICK™ TUB DRAIN
- COMPATIBLE WITH ALL MANUFACTURER'S TUBS WITH 2" DRAIN HOLE
- ASYMMETRIC MOUNTING PLATE ALLOWS FOR FLEXIBILITY WHEN INSTALLING IN CONSTRAINED SPACES
- ALLOWS FOR DRAIN TO BE REMOVED WITHOUT REMOVING THE TUB
- NO ACCESS PANEL REQUIRED
- INCLUDES 1 - 1/2" SOCKET ADAPTERS FOR BOTH PVC AND ABS SCH40 PIPE
- NOT FOR USE WITH LIQUID APPLIED OR SHEET MEMBRANES
- MUST BE INSTALLED IN A DRY AREA WITH NO POTENTIAL OF WATER CONTACT



#### **WARRANTY**

FOR WARRANTY INFO PLEASE VISIT [WWW.MOUNTAINPLUMBING.COM/WARRANTY-CLAIMS](http://WWW.MOUNTAINPLUMBING.COM/WARRANTY-CLAIMS)

#### **FINISH CARE & MAINTENANCE**

NEVER USE ANY HARSH ALKALI, ACID BASED DETERGENTS OR CLEANERS SUCH AS SOFT SCRUB®, SCRUBBING BUBBLES® OR COMET® TO CLEAN. DO NOT USE BRILLO® OR SCOTCH BRITE® PADS. THESE WILL ALL HARM THE FINISH. TO CLEAN, USE ONLY A DAMP SOFT CLOTH AND WIPE GENTLY. STANDARD WINDEX® CAN ALSO BE USED SPARINGLY. IT IS NOT NECESSARY TO WIPE HARD TO REMOVE SPOTS. TO MAINTAIN THE FINISH, WIPE WITH A SOFT DRY CLOTH AFTER USE. AN OCCASIONAL COAT OF PURE CARNAUBA WAX WITHOUT CLEANERS WILL HELP PROTECT THE FINISH.

SPECIFICATIONS SUBJECT TO CHANGE WITHOUT NOTICE