

Toilet Tank Levers

Section Contents

Kohler **251**

TOTO **252 - 253**

AXENT **253 - 254**

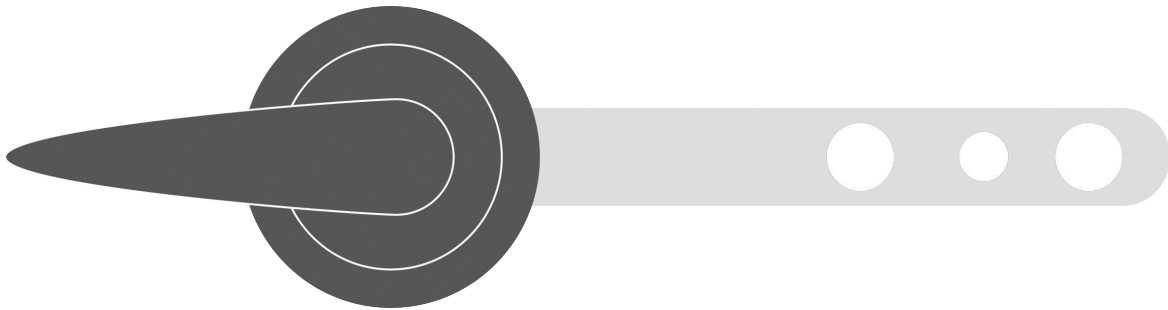
Icera **254**

Wax Rings **254**

Fixture Planning Diagrams

Use the toilet fixture planning diagram to simplify your product selection and complete your design.

Toilet Fixture Planning Diagram **20**





Side Mount Toilet Tank Lever - Kohler Wellworth Model Toilets

MT9379
 This traditional style side mount toilet tank lever is the perfect finishing touch to your toilet. Available in a variety of finishes to match every fixture in your bathroom.

Kohler Wellworth Model Toilets: K-3947, K-3948, K-3977, K-3978, K-3997, K-3998

Standard Finishes

MT9379/BRN	Brushed Nickel	\$ 62
MT9379/CHBRZ	Champagne Bronze	\$ 94
MT9379/MB	Matte Black	\$ 81
MT9379/ORB	Oil Rubbed Bronze	\$ 71
MT9379/PN	Polished Nickel	\$ 62
MT9379/ULB	Unlacquered Brass	\$ 41
MT9379/VB	Venetian Bronze	\$ 71

Group 1 Finishes

All Group 1 Finishes	\$ 81
----------------------	-------

Group 2 Finishes

All Group 2 Finishes	\$ 94
----------------------	-------



Front Mount Toilet Tank Lever - Kohler Model Toilets K-3486, K-3651

MT9461
 This traditional style side mount toilet tank lever is the perfect finishing touch to your toilet. Available in a variety of finishes to match every fixture in your bathroom.

Kohler Model Toilets: K-3486, K-3651

Standard Finishes

MT9461/BRN	Brushed Nickel	\$ 59
MT9461/CHBRZ	Champagne Bronze	\$ 156
MT9461/MB	Matte Black	\$ 110
MT9461/ORB	Oil Rubbed Bronze	\$ 80
MT9461/PN	Polished Nickel	\$ 59
MT9461/ULB	Unlacquered Brass	\$ 48
MT9461/VB	Venetian Bronze	\$ 80

Group 1 Finishes

All Group 1 Finishes	\$ 110
----------------------	--------

Group 2 Finishes

All Group 2 Finishes	\$ 156
----------------------	--------



Front Mount Toilet Tank Lever - Kohler Model Toilets K-3496, K-3497, K-3589

MT9466-L
 This contemporary style side mount toilet tank lever is the perfect finishing touch to your toilet. Available in a variety of finishes to match every fixture in your bathroom.

Kohler Model Toilets: K-3496, K-3497, K-3589

Standard Finishes

MT9466-L/BRN	Brushed Nickel	\$ 50
MT9466-L/CHBRZ	Champagne Bronze	\$ 135
MT9466-L/MB	Matte Black	\$ 95
MT9466-L/ORB	Oil Rubbed Bronze	\$ 68
MT9466-L/PN	Polished Nickel	\$ 50
MT9466-L/ULB	Unlacquered Brass	\$ 32
MT9466-L/VB	Venetian Bronze	\$ 68

Group 1 Finishes

All Group 1 Finishes	\$ 95
----------------------	-------

Group 2 Finishes

All Group 2 Finishes	\$ 135
----------------------	--------



Side View

Side Mount Toilet Tank Lever - TOTO "Ultramax", "Carolina", "Carlyle", "Supreme"

MT904

This contemporary style side mount toilet tank lever is the perfect finishing touch to your toilet. Available in a variety of finishes to match every fixture in your bathroom.

Fits TOTO Model# THU004 for Ultramax, Carolina, Carlyle and Supreme toilets.

Standard Finishes

MT904/BRN	Brushed Nickel	\$ 64
MT904/CHBRZ	Champagne Bronze	\$ 124
MT904/MB	Matte Black	\$ 90
MT904/ORB	Oil Rubbed Bronze	\$ 68
MT904/PN	Polished Nickel	\$ 64
MT904/ULB	Unlacquered Brass	\$ 45
MT904/VB	Venetian Bronze	\$ 68

Group 1 Finishes

All Group 1 Finishes \$ 90

Group 2 Finishes

All Group 2 Finishes \$ 124



Side Mount Toilet Tank Lever - TOTO "Carrollton", "Promenade", "Whitney", "Dartmouth"

MT9141

This traditional style side mount toilet tank lever is the perfect finishing touch to your toilet. Available in a variety of finishes to match every fixture in your bathroom.

Fits TOTO Model# THU141 for Carrollton, Promenade, Whitney, and Dartmouth toilets.

Standard Finishes

MT9141/BRN	Brushed Nickel	\$ 127
MT9141/CHBRZ	Champagne Bronze	\$ 208
MT9141/MB	Matte Black	\$ 150
MT9141/ORB	Oil Rubbed Bronze	\$ 138
MT9141/PN	Polished Nickel	\$ 127
MT9141/ULB	Unlacquered Brass	\$ 91
MT9141/VB	Venetian Bronze	\$ 138

Group 1 Finishes

All Group 1 Finishes \$ 150

Group 2 Finishes

All Group 2 Finishes \$ 208



Side Mount Toilet Tank Lever - TOTO "Bristol", "Drake", "Vespin"

MT968

This contemporary style side mount toilet tank lever is the perfect finishing touch to your toilet. Available in a variety of finishes to match every fixture in your bathroom.

Fits TOTO Model# THU068 for Bristol, Drake, and Vespin toilets.

Standard Finishes

MT968/BRN	Brushed Nickel	\$ 64
MT968/CHBRZ	Champagne Bronze	\$ 124
MT968/MB	Matte Black	\$ 90
MT968/ORB	Oil Rubbed Bronze	\$ 68
MT968/PN	Polished Nickel	\$ 64
MT968/ULB	Unlacquered Brass	\$ 45
MT968/VB	Venetian Bronze	\$ 68

Group 1 Finishes

All Group 1 Finishes \$ 90

Group 2 Finishes

All Group 2 Finishes \$ 124

Front Mount Toilet Tank Lever - TOTO "Soiree"



MT2250

This contemporary style front mount toilet tank lever is the perfect finishing touch to your toilet. Available in a variety of finishes to match every fixture in your bathroom.

Fits TOTO "Soiree" Model Toilets

Standard Finishes

MT2250/BRN	Brushed Nickel	\$ 89
MT2250/CHBRZ	Champagne Bronze	\$ 172
MT2250/MB	Matte Black	\$ 123
MT2250/ORB	Oil Rubbed Bronze	\$ 99
MT2250/PN	Polished Nickel	\$ 89
MT2250/ULB	Unlacquered Brass	\$ 64
MT2250/VB	Venetian Bronze	\$ 99

Group 1 Finishes

All Group 1 Finishes \$ 123

Group 2 Finishes

All Group 2 Finishes \$ 172

Dual Flush Style Toilet Flusher for TOTO Aquia



MT221-160

Dual Flush style toilet flusher allows for conservation of water by reducing gallons used per flush. This will become the perfect finishing touch to your toilet!

Fits TOTO Aquia IV Model #'s:

- CST446
- MS446
- MW446
- MW646
- MS646

Standard Finishes

MT221-160/BRN	Brushed Nickel	\$ 147
MT221-160/CHBRZ	Champagne Bronze	\$ 221
MT221-160/MB	Matte Black	\$ 181
MT221-160/ORB	Oil Rubbed Bronze	\$ 166
MT221-160/PN	Polished Nickel	\$ 147
MT221-160/ULB	Unlacquered Brass	\$ 136
MT221-160/VB	Venetian Bronze	\$ 166

Group 1 Finishes

All Group 1 Finishes \$ 181

Group 2 Finishes

All Group 2 Finishes \$ 221

Side Mount Toilet Tank Lever - TOTO "Guinevere", AXENT Italica



MT2310

This contemporary style side mount toilet tank lever is the perfect finishing touch to your toilet. Available in a variety of finishes to match every fixture in your bathroom.

Fits TOTO "Guinevere" Model Toilets

Fits AXENT Italica Toilet

Standard Finishes

MT2310/BRN	Brushed Nickel	\$ 109
MT2310/CHBRZ	Champagne Bronze	\$ 190
MT2310/MB	Matte Black	\$ 135
MT2310/ORB	Oil Rubbed Bronze	\$ 117
MT2310/PN	Polished Nickel	\$ 109
MT2310/ULB	Unlacquered Brass	\$ 84
MT2310/VB	Venetian Bronze	\$ 117

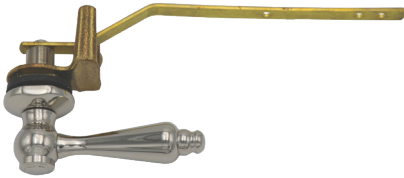
Group 1 Finishes

All Group 1 Finishes \$ 135

Group 2 Finishes

All Group 2 Finishes \$ 190

Front Mount Toilet Tank Lever - Icera F-65, AXENT



MT65
 This traditional style front mount toilet tank lever is the perfect finishing touch to your toilet. Available in a variety of finishes to match every fixture in your bathroom.

Fits Icera "Julien", "Riose", "Vanier", & "Willshire" Model Toilets

Fits AXENT Model Toilets

Standard Finishes

MT65/BRN	Brushed Nickel	\$ 89
MT65/CHBRZ	Champagne Bronze	\$ 140
MT65/MB	Matte Black	\$ 118
MT65/ORB	Oil Rubbed Bronze	\$ 106
MT65/PN	Polished Nickel	\$ 89
MT65/ULB	Unlacquered Brass	\$ 59
MT65/VB	Venetian Bronze	\$ 106

Group 1 Finishes

All Group 1 Finishes \$ 118

Group 2 Finishes

All Group 2 Finishes \$ 140

Don't Forget the Wax Ring!



Wax Ring

MT27WRB \$20



Wax Ring with Gasket

MT27TSK \$51

Notes:

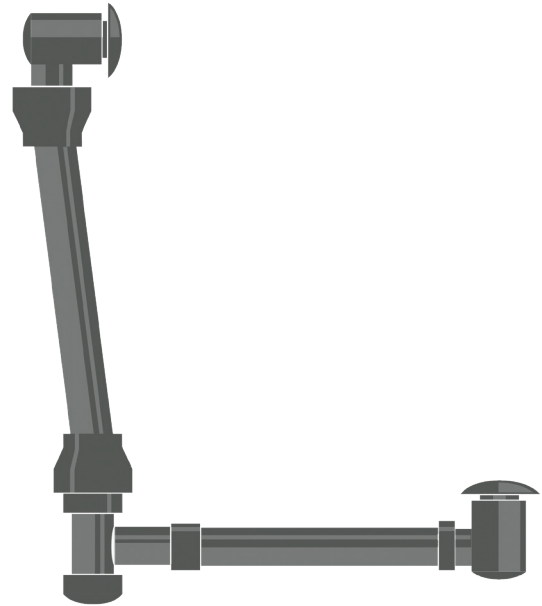
Get the Most Out of Your Bathtub

DoubleFlex™

Bath waste installations just became faster and easier. Introducing the new Mountain DoubleFlex™, the new bath waste system that is designed to handle misalignment problems. The secret is in the patented swivel joints at the overflow head and at the sanitary tee. We first incorporated this technology over 11 years ago with a swivel joint located at the overflow head; now we have also placed a swivel joint at the sanitary tee. What this means is that there is much more flexibility to compensate for misalignment when installing the bath tub. The DoubleFlex™ is available in both PVC and ABS as well as 3 different cable lengths to be utilized on any size tub.



Just look for the DoubleFlex™ Icon!

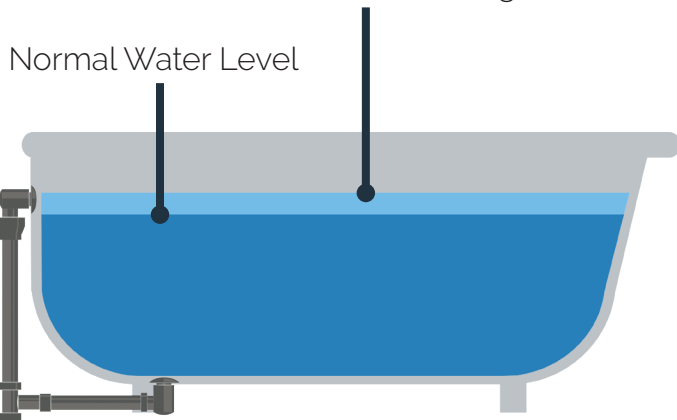


Immerse Yourself

The Mountain Plumbing "Immerse" feature allows you to have the most luxurious bathing experience you've ever had! It now comes standard on all Mountain Plumbing Products cable drains, allowing you to indulge in a more lavish bathing experience. The expertly engineered overflow has been developed for your tub to accommodate a near additional 2 inches of water. To fully take advantage of the immerse feature, simply fill your tub to the height you have been familiar with. Once seated and relaxed in your tub, the amount of displaced water will rise by approximately 2 inches and remain at this level. This additional water depth added to your tub will allow for you to be fully submerged, covering up your bare shoulders, and resulting in a more luxurious bath. It is the ultimate in getting the most out of your bathtub.

Water Level with Our Immerse Feature

- 2" Additional Soaking Room



Just look for the Immerse Icon!