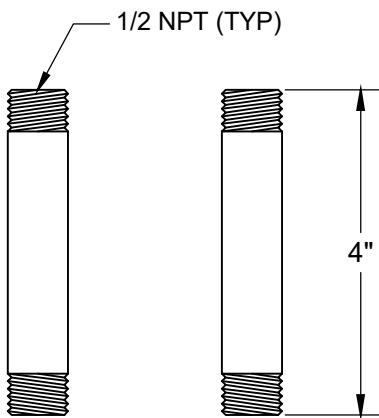


MT6254X-NL

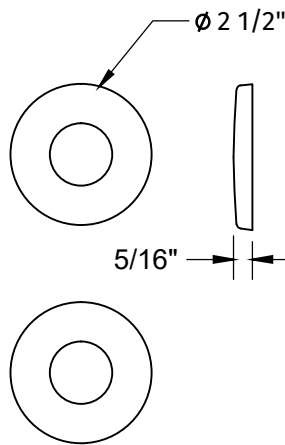
LAVATORY SUPPLY KIT

SPECIFICATION SHEET

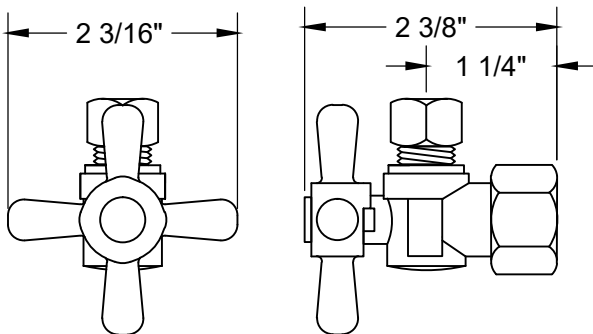
- TWO LEAD FREE cUPC CERTIFIED MT616-NL BALL VALVES
- (5/8" O.D.) 1/2" COMPRESSION INLET
- 3/8" O.D. COMPRESSION OUTLET
- TWO MT432X NO LEAD SUPPLY TUBES
- TWO MT442X SURE GRIP FLANGES
- TWO MT450X-NL 4" NO LEAD PIPE NIPPLE WITH 1/2 NPT THREAD
- OFFERED IN MANY STANDARD DECORATIVE FINISHES
- SPECIAL FINISHES AVAILABLE UPON REQUEST



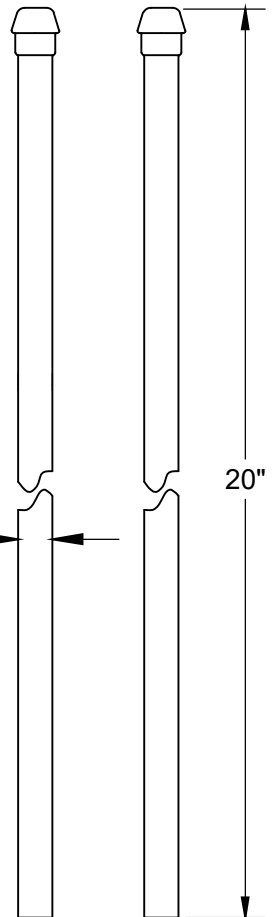
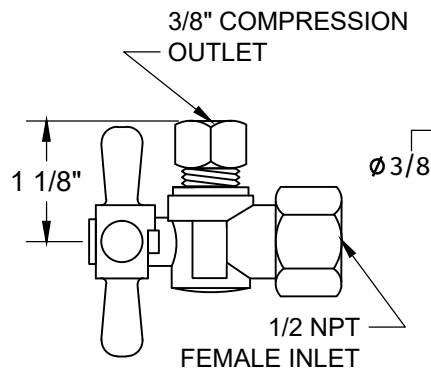
MT450X-NL



MT442X



MT616-NL



MT432X

WARRANTY

FOR WARRANTY INFO PLEASE VISIT WWW.MOUNTAINPLUMBING.COM/PAGE/RESOURCES/WARRANTY

FINISH CARE & MAINTENANCE

NEVER USE ANY HARSH ALKALI, ACID BASED DETERGENTS OR CLEANERS SUCH AS SOFT SCRUB®, SCRUBBING BUBBLES® OR COMET® TO CLEAN. DO NOT USE BRILLO® OR SCOTCH BRITE® PADS. THESE WILL ALL HARM THE FINISH. TO CLEAN, USE ONLY A DAMP SOFT CLOTH AND WIPE GENTLY. STANDARD WINDEX® CAN ALSO BE USED SPARINGLY. IT IS NOT NECESSARY TO WIPE HARD TO REMOVE SPOTS. TO MAINTAIN THE FINISH, WIPE WITH A SOFT DRY CLOTH AFTER USE. AN OCCASIONAL COAT OF PURE CARNAUBA WAX WITHOUT CLEANERS WILL HELP PROTECT THE FINISH.

SPECIFICATIONS SUBJECT TO CHANGE WITHOUT NOTICE