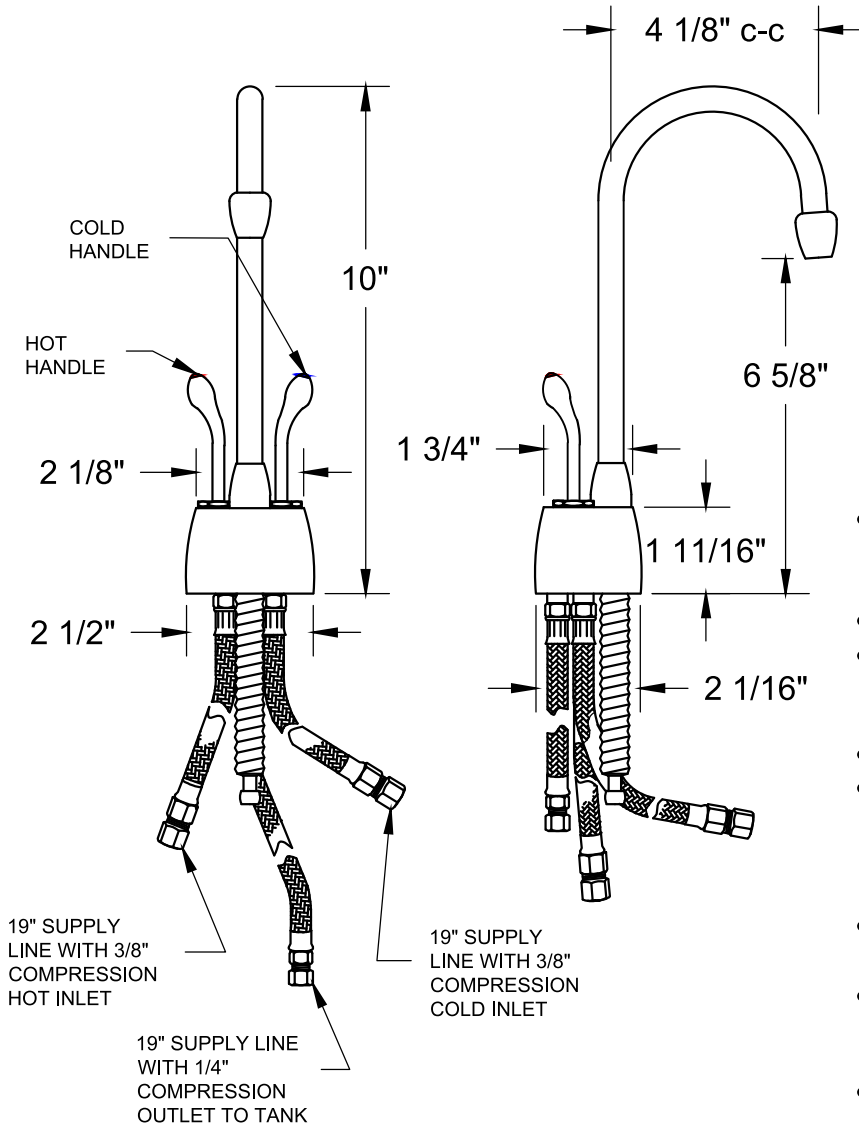


# MT650-NL

## HOT & COLD WATER FAUCET WITH CONTEMPORARY BODY AND DOUBLE TILT LEVERS

### SPECIFICATION SHEET



- INTENDED FOR USE WITH THE LITTLE GOURMET® HEATING TANK MT641-3 (SOLD SEPARATELY)
- Ø1 3/8" MOUNTING HOLE REQUIRED
- 1 1/2" SPACE REQUIRED BEHIND DISPENSER BODY FOR LEVER MOVEMENT
- WILL FIT DECK UP TO 2 1/4" THICK
- FEATURES A SPRING LOADED SELF-CLOSING HOT TILT LEVER (COLD SIDE WILL REMAIN OPEN WHEN FULLY TILTED)
- REVERSE OSMOSIS SAFE (DECORATIVE AIR GAP NOT AVAILABLE)
- INCLUDES CONNECTION HARDWARE AND 2 FT SILICONE HOSE TO CONNECT TO HOT TANK
- COMPATIBLE WITH MT1250XL, MT660, AND MT662-2 FILTRATION SYSTEMS (SOLD SEPARATELY)
- ALSO COMPATIBLE WITH MT670-2 WATER CHILLER (SOLD SEPARATELY)

#### WARRANTY

FOR WARRANTY INFO PLEASE VISIT [WWW.MOUNTAINPLUMBING.COM/PAGE/RESOURCES/WARRANTY](http://WWW.MOUNTAINPLUMBING.COM/PAGE/RESOURCES/WARRANTY)

#### FINISH CARE & MAINTENANCE

NEVER USE ANY HARSH ALKALI, ACID BASED DETERGENTS OR CLEANERS SUCH AS SOFT SCRUB®, SCRUBBING BUBBLES® OR COMET® TO CLEAN. DO NOT USE BRILLO® AND SCOTCH BRITE® PADS. THESE WILL ALL HARM THE FINISH. TO CLEAN, USE ONLY A DAMP SOFT CLOTH AND WIPE USING A SOFT CLOTH. STANDARD WINDEX® CAN ALSO BE USED SPARINGLY. IT IS NOT NECESSARY TO WIPE HARD TO REMOVE SPOTS. TO MAINTAIN THE FINISH, WIPE WITH A SOFT DRY CLOTH AFTER USE. AN OCCASIONAL COAT OF PURE CARNAUBA WAX WITHOUT CLEANERS WILL HELP PROTECT THE FINISH.

SPECIFICATIONS SUBJECT TO CHANGE WITHOUT NOTICE