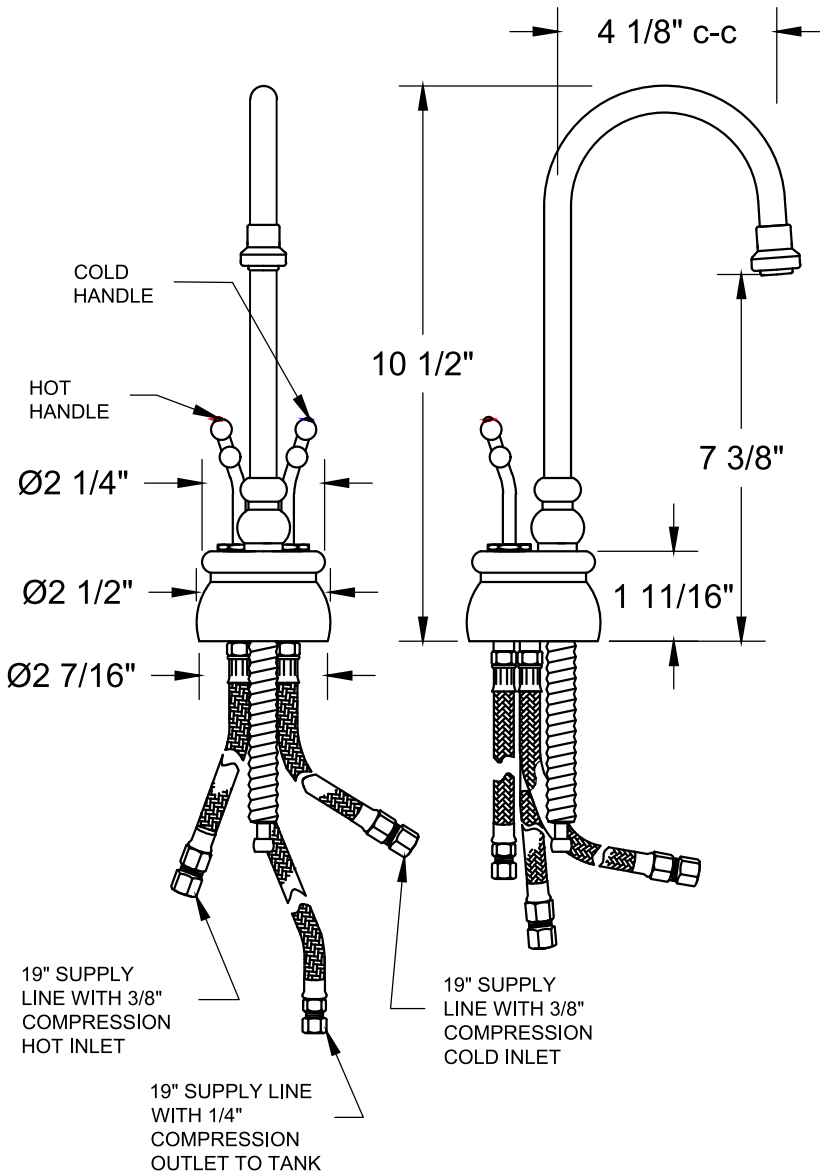


MT550-NL

HOT & COLD WATER FAUCET WITH TRADITIONAL BODY AND DOUBLE TILT LEVERS

SPECIFICATION SHEET



- INTENDED FOR USE WITH THE LITTLE GOURMET[®] HEATING TANK MT641-3 (SOLD SEPARATELY)
- $\text{Ø}1\ 3/8"$ MOUNTING HOLE REQUIRED
- $1\ 1/2"$ SPACE REQUIRED BEHIND DISPENSER BODY FOR LEVER MOVEMENT
- WILL FIT DECK UP TO $2\ 1/4"$ THICK
- FEATURES A SPRING LOADED SELF-CLOSING HOT TILT LEVER (COLD SIDE WILL REMAIN OPEN WHEN FULLY TILTED)
- REVERSE OSMOSIS SAFE (DECORATIVE AIR GAP NOT AVAILABLE)
- INCLUDES CONNECTION HARDWARE AND 2 FT SILICONE HOSE TO CONNECT TO HOT TANK
- COMPATIBLE WITH MT1250XL, MT660, AND MT662-2 FILTRATION SYSTEMS (SOLD SEPARATELY)
- ALSO COMPATIBLE WITH MT670-2 WATER CHILLER (SOLD SEPARATELY)

WARRANTY

FOR WARRANTY INFO PLEASE VISIT WWW.MOUNTAINPLUMBING.COM/PAGE/RESOURCES/WARRANTY

FINISH CARE & MAINTENANCE

NEVER USE ANY HARSH ALKALI, ACID BASED DETERGENTS OR CLEANERS SUCH AS SOFT SCRUB[®], SCRUBBING BUBBLES[®] OR COMET[®] TO CLEAN. DO NOT USE BRILLO[®] AND SCOTCH BRITE[®] PADS. THESE WILL ALL HARM THE FINISH. TO CLEAN, USE ONLY A DAMP SOFT CLOTH AND WIPE USING A SOFT CLOTH. STANDARD WINDEX[®] CAN ALSO BE USED SPARINGLY. IT IS NOT NECESSARY TO WIPE HARD TO REMOVE SPOTS. TO MAINTAIN THE FINISH, WIPE WITH A SOFT DRY CLOTH AFTER USE. AN OCCASIONAL COAT OF PURE CARNAUBA WAX WITHOUT CLEANERS WILL HELP PROTECT THE FINISH.

SPECIFICATIONS SUBJECT TO CHANGE WITHOUT NOTICE