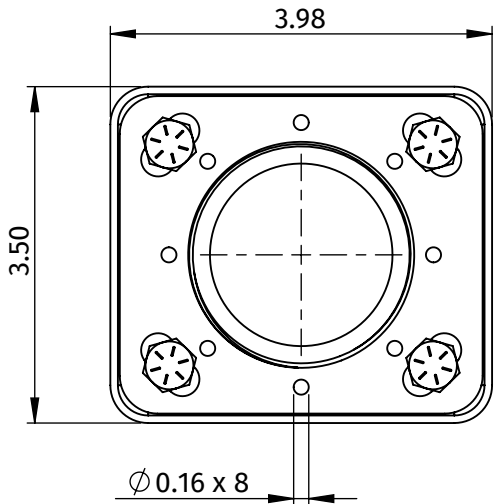


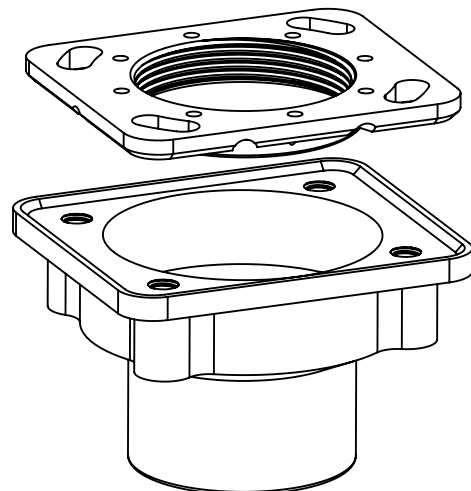
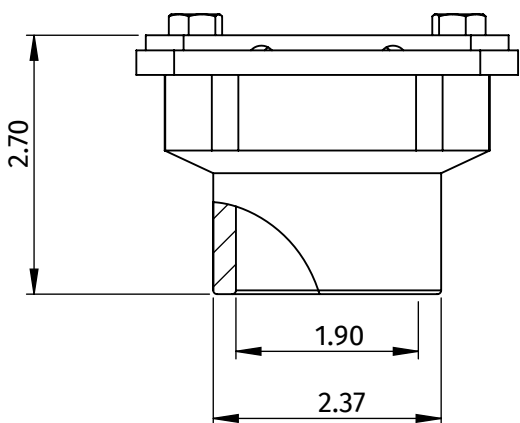
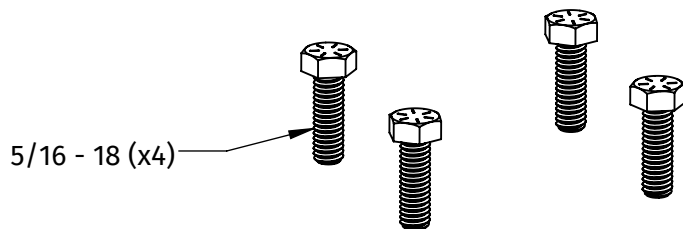
MT501C-ROUGH

CAST IRON RECTANGULAR SHOWER DRAIN ROUGH

SPECIFICATION SHEET



- 4" x 3-1/2" x 2-3/4" OVERALL DIMENSIONS
- FITS SHOWER DRAINS WITH 2 - 1 1/2 NPSM THREAD
- CAST IRON SUB DRAIN & CLAMPING RING
- 2" NO HUB OUTLET CONNECTION
- ALLOWS INSTALLATION OF LINEAR DRAINS IN CLOSE PROXIMITY TO WALL
- HAS WEEP HOLES



WARRANTY

FOR WARRANTY INFO PLEASE VISIT WWW.MOUNTAINPLUMBING.COM/PAGE/RESOURCES/WARRANTY

FINISH CARE & MAINTENANCE

NEVER USE ANY HARSH ALKALI, ACID BASED DETERGENTS OR CLEANERS SUCH AS SOFT SCRUB®, SCRUBBING BUBBLES® OR COMET® TO CLEAN. DO NOT USE BRILLO® OR SCOTCH BRITE® PADS. THESE WILL ALL HARM THE FINISH. TO CLEAN, USE ONLY A DAMP SOFT CLOTH AND WIPE GENTLY. STANDARD WINDEX® CAN ALSO BE USED SPARINGLY. IT IS NOT NECESSARY TO WIPE HARD TO REMOVE SPOTS. TO MAINTAIN THE FINISH, WIPE WITH A SOFT DRY CLOTH AFTER USE. AN OCCASIONAL COAT OF PURE CARNAUBA WAX WITHOUT CLEANERS WILL HELP PROTECT THE FINISH.

SPECIFICATIONS SUBJECT TO CHANGE WITHOUT NOTICE