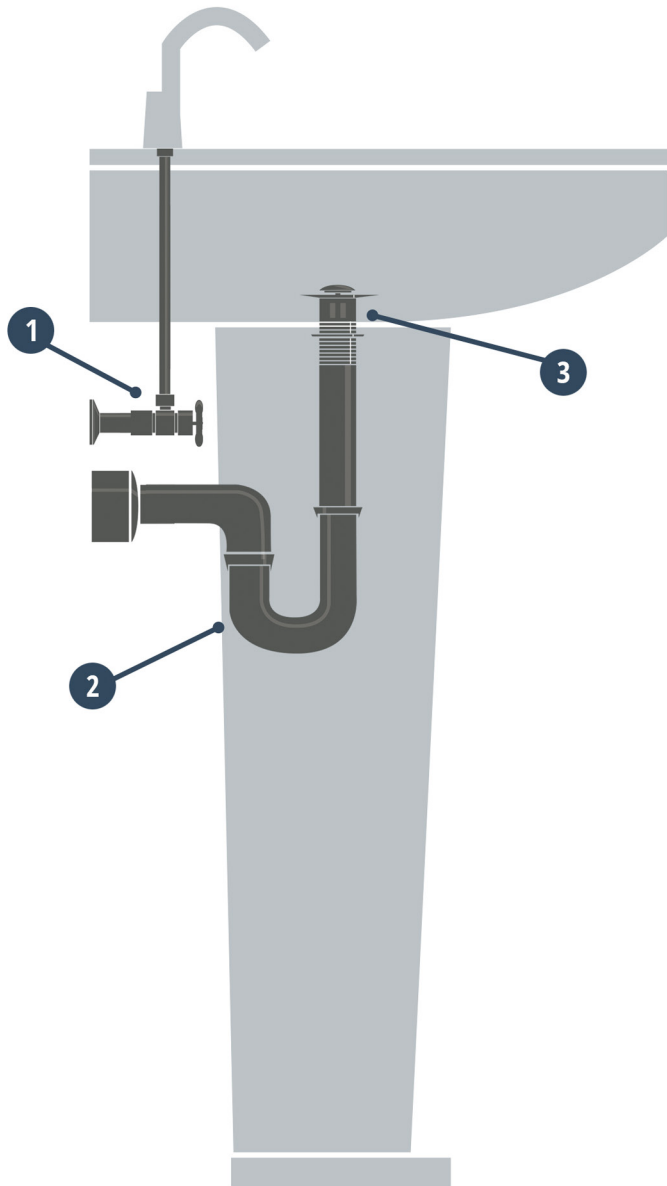


Project Location: _____
Date: _____
Customer Name: _____
Sales Order Number: _____

- 1. Lavatory Supply Kit _____
- 2. Decorative Lavatory Trap _____
- 3. Complete Lavatory Drain _____



■ Mandatory ■ Not Mandatory