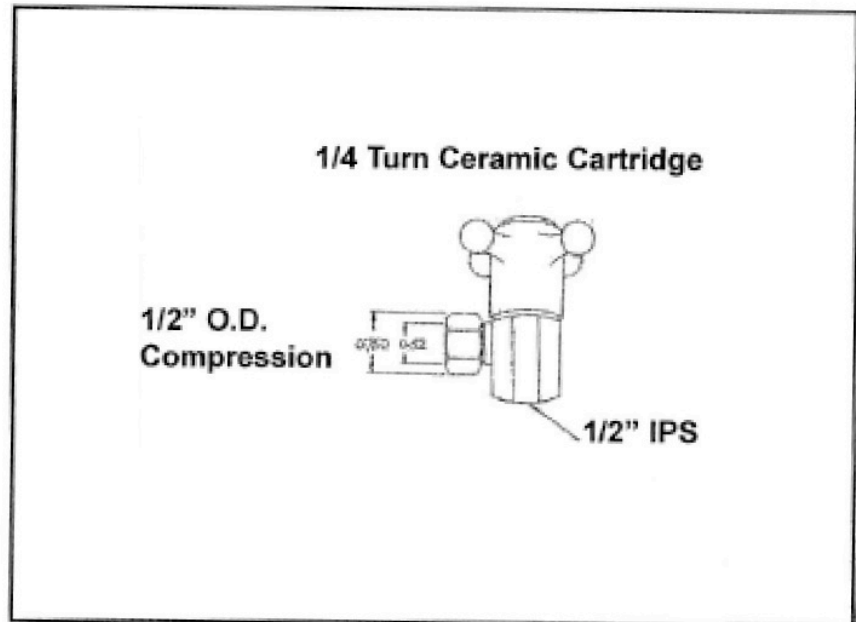


**INSTALLATION DIMENSIONS**

*This model offers you the following features & benefits:*

- Traditional cross handle styling.
- Available in over 20 finishes
- 1/4 Turn ceramic cartridge.
- Brass construction



**Warranty**

\*ALL MOUNTAIN PRODUCTS CARRY A 1 YEAR WARRANTY ON ALL WORKING PARTS.(except disposers)

\*MOST SPECIAL FINISHES HAVE A 1 YEAR WARRANTY IF INSTRUCTIONS ARE FOLLOWED PROPERLY. ORB, EB, MHB, WCP, AND TB HAVE A 90 DAY WARRANTY IF INSTRUCTIONS ARE FOLLOWED PROPERLY.

\*ALL PVD FINISHES COME WITH A LIFETIME WARRANTY IF INSTRUCTIONS ARE FOLLOWED PROPERLY

\*ALL XENOY COLORED PRODUCTS HAVE A LIFETIME WARRANTY

\*USE OF PLUMBERS PUTTY ON PRODUCTS VOIDS WARRANTY

*Specifications subject to change without notice.*