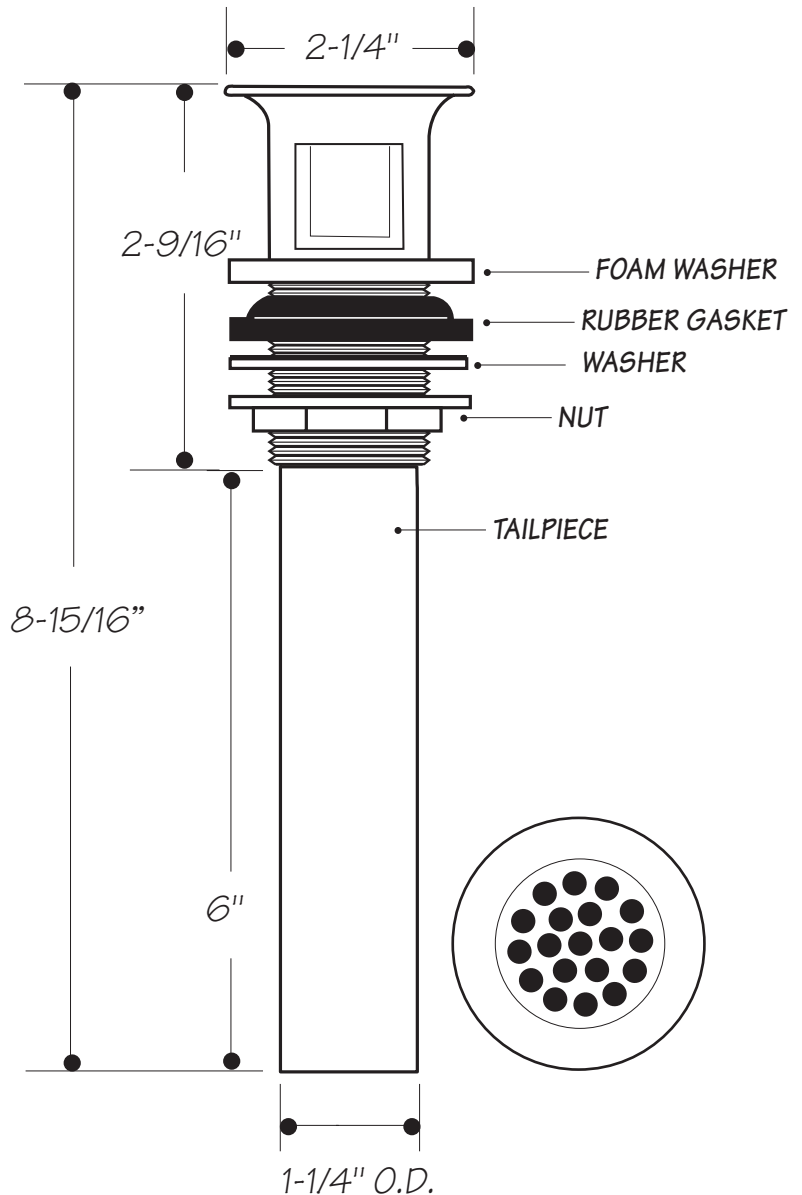


INSTALLATION DIMENSIONS

This model offers you the following features & benefits:

- Drain and tailpiece completely plated
- Two piece lavatory drain
- 2" maximum sink thickness
- Drain openings of 1-1/2"
- 19-Hole Grid drain that can be used with MT1000 Decorative bottle trap
- Available in 20 finishes
 - CPB - Polished Chrome
 - SC - Satin Chrome
 - PN - Polished Nickel
 - PEW - Pewter
 - BRN - Brushed Nickel
 - AB - Antique Brass
 - SB - Satin Brass
 - PVD - Polished Brass
 - WB - Weathered Brass
 - WCP - Weathered Copper
 - ACP - Antique Copper
 - PCP - Polished Copper
 - ORB - Oil Rubbed Bronze
 - PVDDB - PVD Brushed Bronze
 - VB - Venetian Bronze*
 - TB - Tuscan Brass
 - MB - Matte Black
 - FG - French Gold
 - GPB - Polished Gold
 - SG - Satin Gold
- ASME A1121.18.2 and CSA B125-1 Certified



One year warranty on plated finish.

Specifications subject to change without notice.