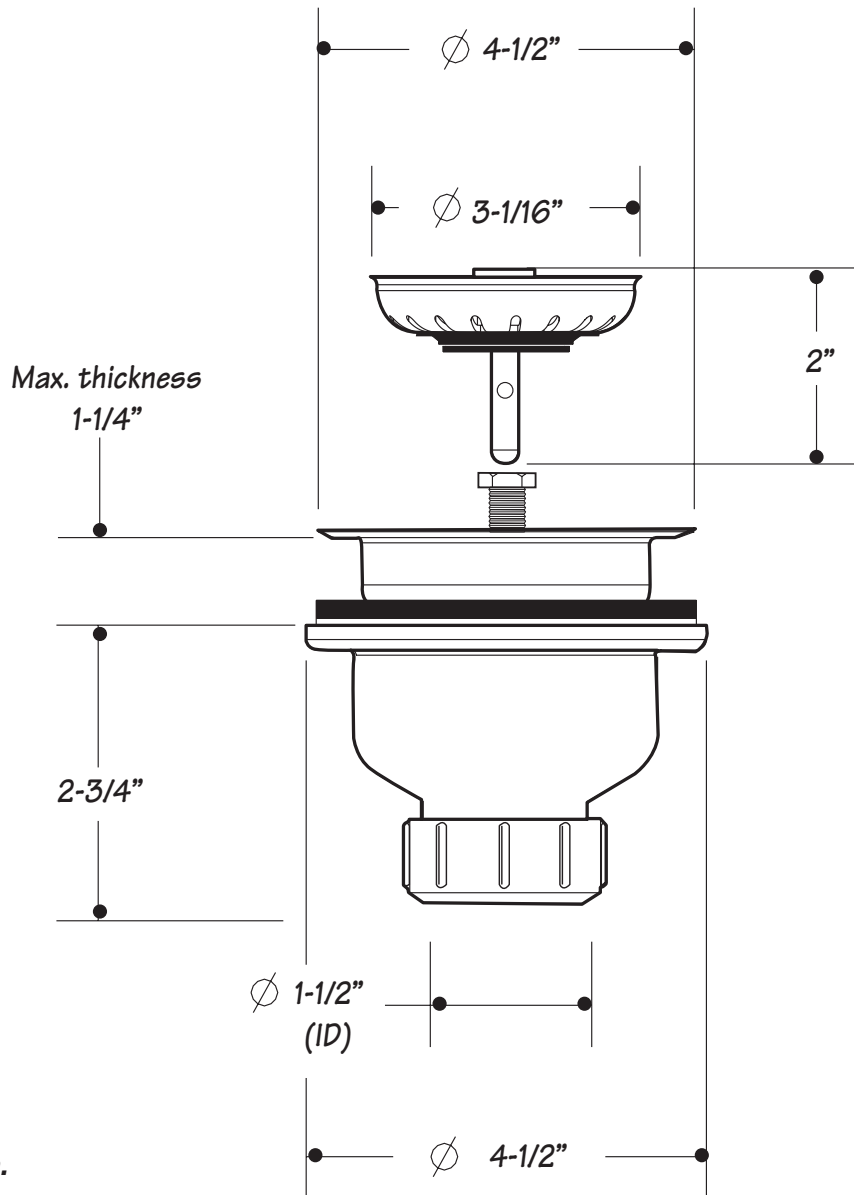


INSTALLATION DIMENSIONS

This model offers you the following features & benefits:

- Spring loaded center post for smooth operation
- Above sink installation
- For thicker applications order a longer ferrule Part# BDRFRL-55
- Available in 16 finishes
 - BRS - Brushed Stainless
 - CPB - Polished Chrome
 - SC - Satin Chrome
 - PN - Polished Nickel
 - BRN - Brushed Nickel
 - PEW - Pewter
 - PRN - Pearl Nickel
 - AB - Antique Brass
 - PVD - Polished Brass
 - WB - Weathered Brass
 - WCP - Weathered Copper
 - ACP - Antique Copper
 - PCP - Polished Copper
 - ORB - Oil Rubbed Bronze
 - VB - Venetian Bronze*
 - PVDDB - Brushed Bronze
 - TB - Tuscan Brass
 - FG - French Gold



One year warranty on plated finish.

Specifications subject to change without notice.