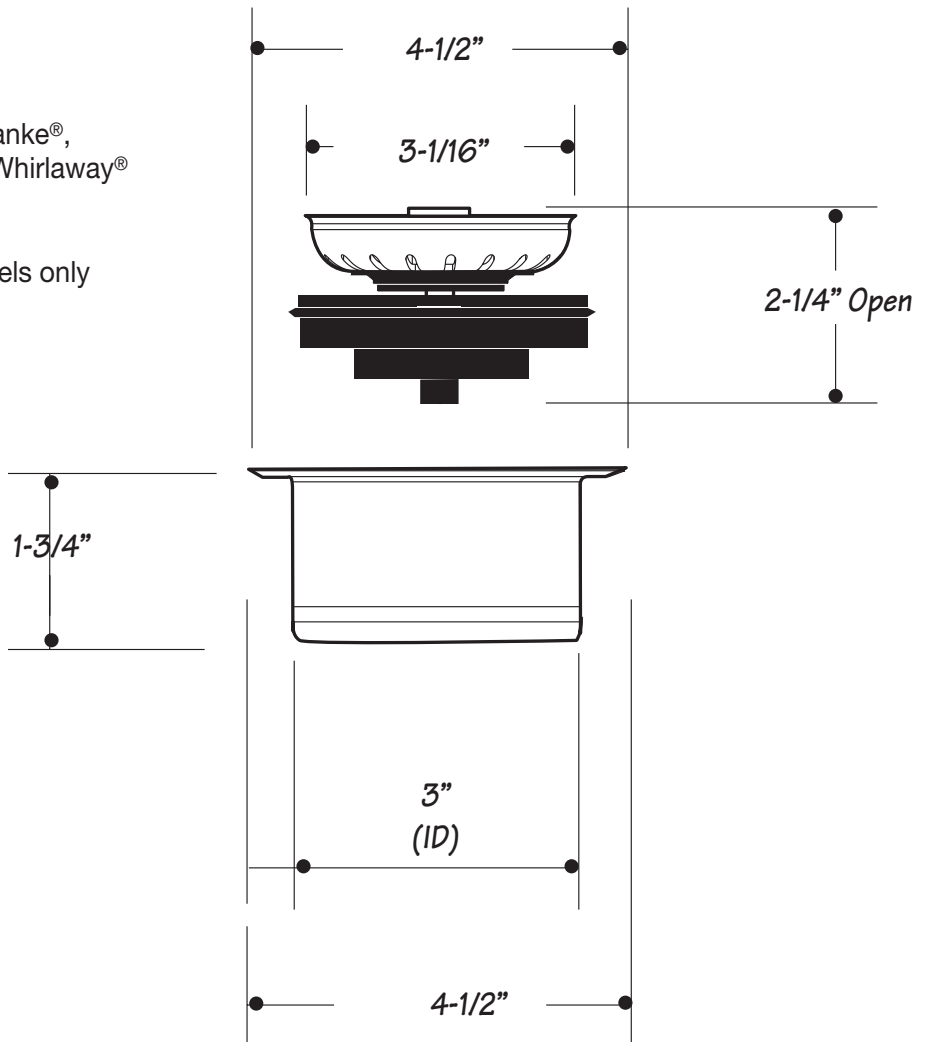


**INSTALLATION DIMENSIONS**

***This model offers you the following features & benefits:***

- Spring loaded center post for smooth strainer operation
- For Mountain "Perfect Grind®", Franke®, Waste King® (select models) and Whirlaway® with 3-bolt mounting flange
- For use with continuous feed models only
- Available in 18 finishes
  - PS - Polished Stainless
  - BRS - Brushed Stainless
  - CPB - Polished Chrome
  - SC - Satin Chrome
  - PN - Polished Nickel
  - BRN - Brushed Nickel
  - PEW - Pewter
  - AB - Antique Brass
  - PVD - Polished Brass
  - WCP - Weathered Copper
  - ACP - Antique Copper
  - PCP - Polished Copper
  - ORB - Oil Rubbed Bronze
  - VB - Venetian Bronze\*
  - PVDBB - Brushed Bronze
  - TB - Tuscan Brass
  - EB - English Bronze
  - FG - French Gold



***One year warranty on plated finish.***

*Specifications subject to change without notice.*