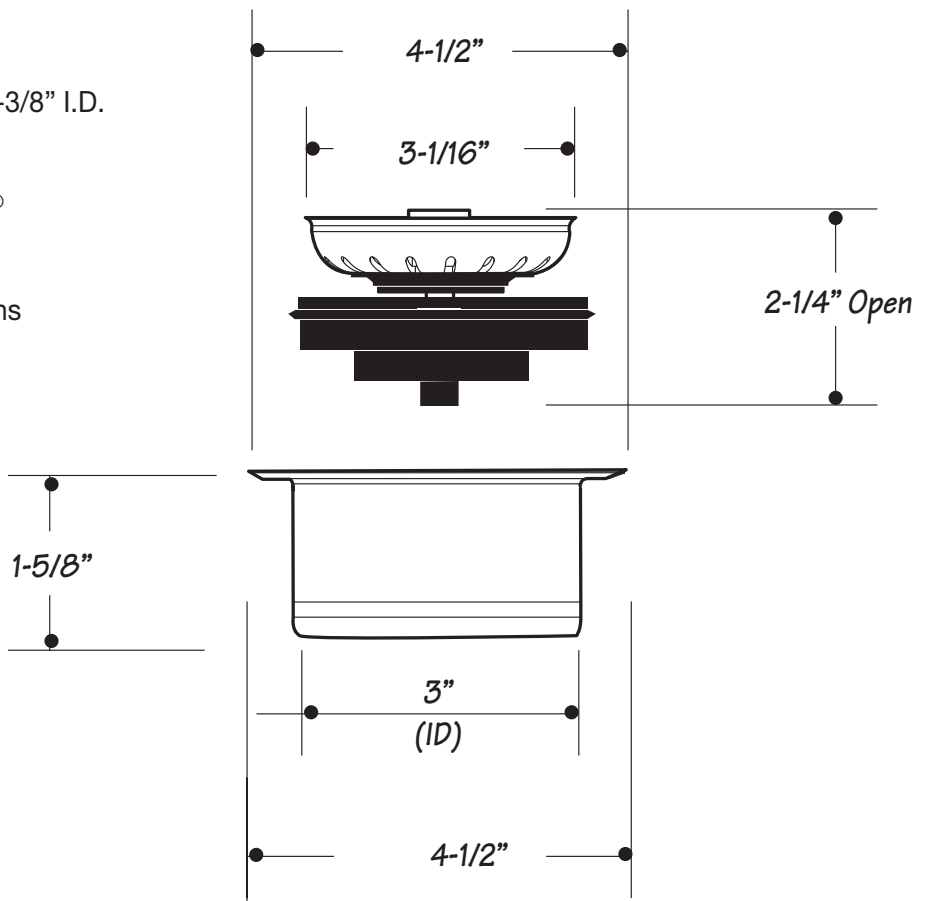


INSTALLATION DIMENSIONS

This model offers you the following features & benefits:

- Spring loaded center post for smooth strainer operation
- For Insinkerator® type units with 3-3/8" I.D. (installation required)
- NOT compatible with Insinkerator® Evolution™ Series
- For deeper fireclay sink applications use model MT202
- Available in 19 finishes
 - PS - Polished Stainless
 - BRS - Brushed Stainless
 - CPB - Polished Chrome
 - SC - Satin Chrome
 - PN - Polished Nickel
 - BRN - Brushed Nickel
 - PRN - Pearl Nickel
 - PEW - Pewter
 - AB - Antique Brass
 - PVD - Polished Brass
 - WB - Weathered Brass
 - WCP - Weathered Copper
 - ACP - Antique Copper
 - PCP - Polished Copper
 - ORB - Oil Rubbed Bronze
 - VB - Venetian Bronze*
 - PVDDB - Brushed Bronze
 - TB - Tuscan Brass
 - FG - French Gold
- Also fits Kenmore®, Maytag®, ACE®, Jenn-Aire®, Kitchen Aid® & Whirlpool®(Select Models)



One year warranty on plated finish.

Specifications subject to change without notice.