

INSTALLATION DIMENSIONS

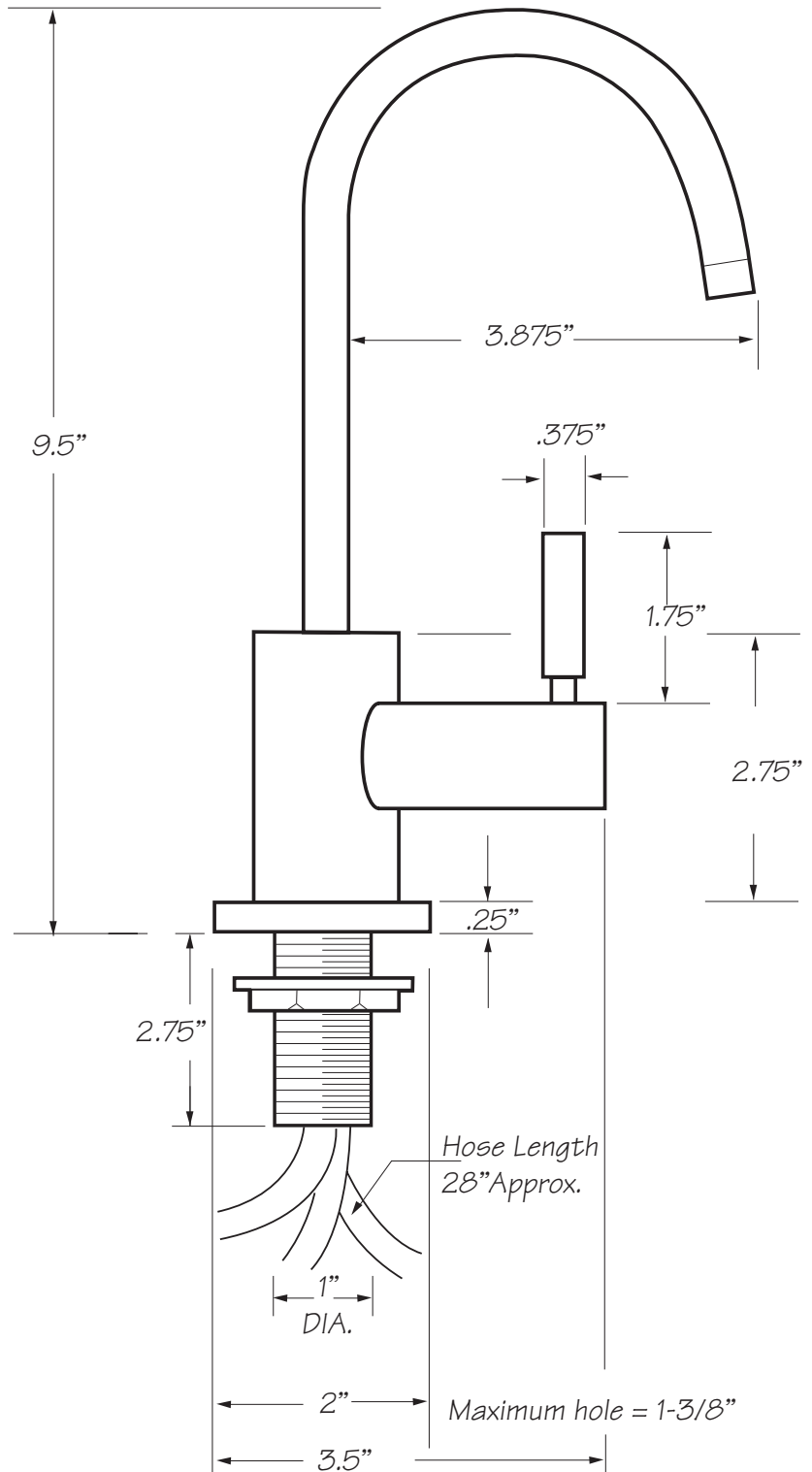
This model offers you the following features & benefits:

- All brass body
- Insulated spout for safety
- Self closing spring-loaded hot valve to protect from accidental burns to your family
- Contemporary styling
- Available in 6 finishes
 - CPB - Polished Chrome
 - PN - Polished Nickel
 - BRN - Brushed Nickel
 - PVD - PVD Brass
 - ORB - Oil Rubbed Bronze
 - SS - Stainless Steel
- To be used with a Mountain Heating Tank only

Lifetime warranty on ceramic cartridge.

Five year warranty on plated finish.

Complies with NSF Standards



Specifications subject to change without notice.