

# Mountain PLUMBING PRODUCTS

## MT777SSWD

**"The Perfect Grind®"  
Waste Disposer  
1 H.P. Heavy Duty  
Batch Feed**

### Installation Specifications



*This model offers you the following features & benefits:*

- Top control/batch feed operation...no wall switch needed.
- High-speed 2800 r.p.m. permanent magnet motor produces more power per pound.
- Stainless steel grinding components.
- Professional 3-bolt mount system.
- Sound insulated for quiet operation.
- Safe for properly sized septic tanks.\*
- Includes factory installed power cord.
- Longest warranties in the industry demonstrates our commitment to quality.

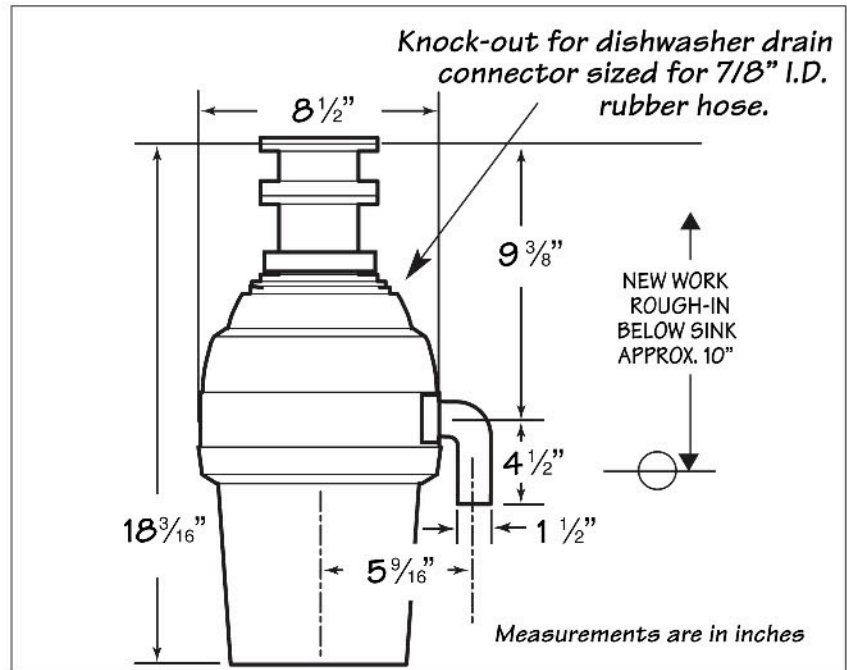
#### Warranty

\*THE MOUNTAIN PERFECT GRIND WASTE DISPOSERS COME WITH AN 8 YEAR, 10 YEAR, OR LIFETIME IN HOME PARTS AND SERVICE WARRANTY.

\*USE OF PLUMBERS PUTTY ON PRODUCTS VOIDS WARRANTY



\*A septic system designed to accommodate a dishwasher or washing machine can also accommodate a garbage disposer.



### SPECIFICATIONS

|                        |  |
|------------------------|--|
| Motor Horsepower       | 1 H.P.                                 |
| Motor Speed R.P.M.     | 2800                                   |
| Voltage                | 115                                    |
| Hz                     | 60                                     |
| Current-Amps           | 7.0                                    |
| Motor Type             | Permanent Magnet                       |
| Power Cord             | Attached                               |
| Sink Flange            | Stainless Steel & Celcon               |
| Stopper                | Three position                         |
| Waste Elbow            | ABS                                    |
| Feed                   | Batch Loading                          |
| Grind Ring             | Stainless Steel                        |
| Swivel Impellers       | Cast Stainless Steel                   |
| Turntable              | Stainless Steel                        |
| Hopper                 | Glass Filled Nylon                     |
| Grinding Chamber       | Corrosion Proof Glass Filled Polyester |
| Bearings               | Permanently Lubricated; Sleeve Type    |
| Overload Protector     | Manual Reset Type                      |
| Sound Dampening Shell  | Yes - Foam Insulated                   |
| Shipping Weight (lbs.) | 16.4                                   |
| Pallet Quantity        | 100                                    |