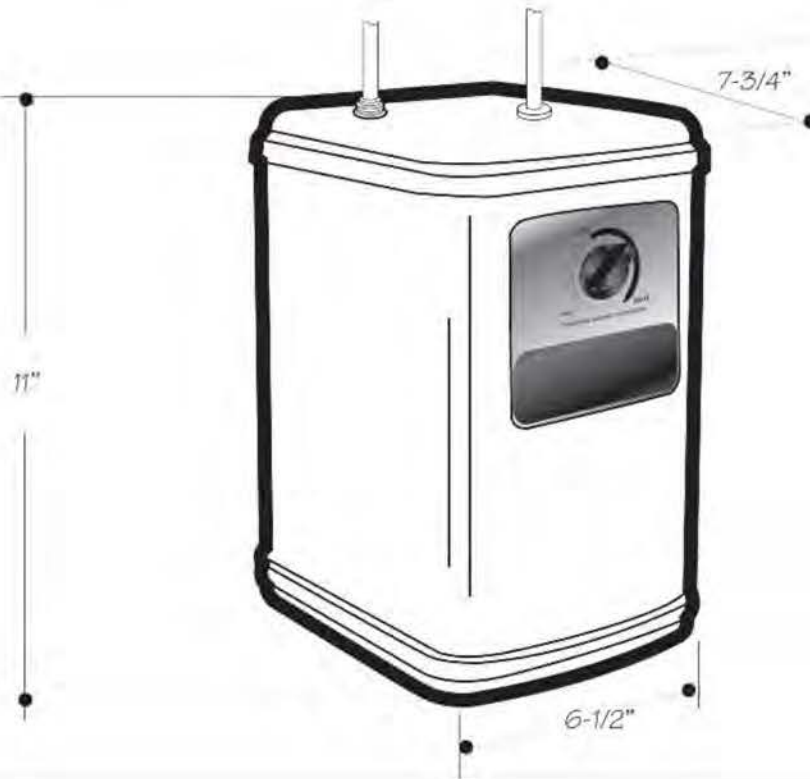


INSTALLATION DIMENSIONS



This model offers you the following features & benefits:

- Large 1/2 gallon stainless tank
- Includes Mounting Bracket
- Is Self resetting to protect tank in case of dry start
- Removable Drain Plug
- Easy access thermostat allows for finger tip adjustment from 140° - 190°
- For use with "The Little Gourmet" Instant hot water faucets
- UL Listed and CSA Approved.

Specifications subject to change without notice.

WATTS: 1530

VOLTAGE: 115

HZ: 60

AMPS: 13.3

Warranty

*ALL MOUNTAIN PRODUCTS CARRY A 1 YEAR WARRANTY ON ALL WORKING PARTS.(except disposers)
*THE HEATING TANK HAS A 3-YEAR LIMITED REPLACEMENT WARRANTY FROM ORIGINAL DATE OF PURCHASE, IF PURCHASED AFTER JANUARY 1, 2009.
*USE OF PLUMBERS PUTTY ON PRODUCTS VOIDS WARRANTY.