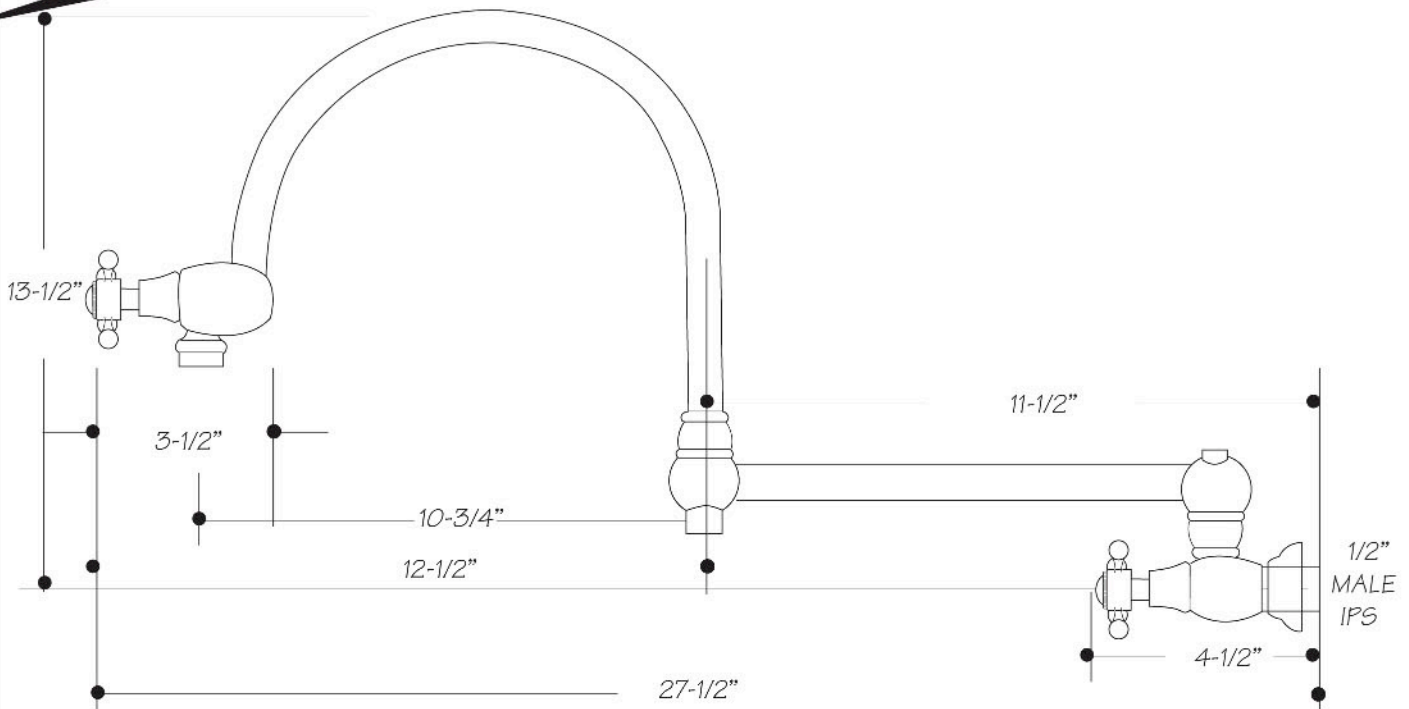


## INSTALLATION DIMENSIONS



***This model offers you the following features & benefits:***

- Available in 7 finishes
  - CPB - Polished Chrome
  - PVDBRS - Brushed Stainless
  - PN - Polished Nickel
  - BRN - Brushed Nickel
  - TB - Tuscan Brass
  - ORB - Oil Rubbed Bronze
  - VB - Venetian Bronze

**POT FILLER SOLD WITHOUT HANDLES  
CHOOSE YOUR HANDLES:**



**Warranty**

\*ALL MOUNTAIN PRODUCTS CARRY A 1 YEAR WARRANTY ON ALL WORKING PARTS.(except disposers)  
 \*MOST SPECIAL FINISHES HAVE A 1 YEAR WARRANTY IF INSTRUCTIONS ARE FOLLOWED PROPERLY. ORB, EB, MHB, WCP, AND TB HAVE A 90 DAY WARRANTY IF INSTRUCTIONS ARE FOLLOWED PROPERLY.  
 \*ALL PVD FINISHES COME WITH A LIFETIME WARRANTY IF INSTRUCTIONS ARE FOLLOWED PROPERLY  
 \*ALL XENYO COLORED PRODUCTS HAVE A LIFETIME WARRANTY  
 \*USE OF PLUMBERS PUTTY ON PRODUCTS VOIDS WARRANTY

*Specifications subject to change without notice.*