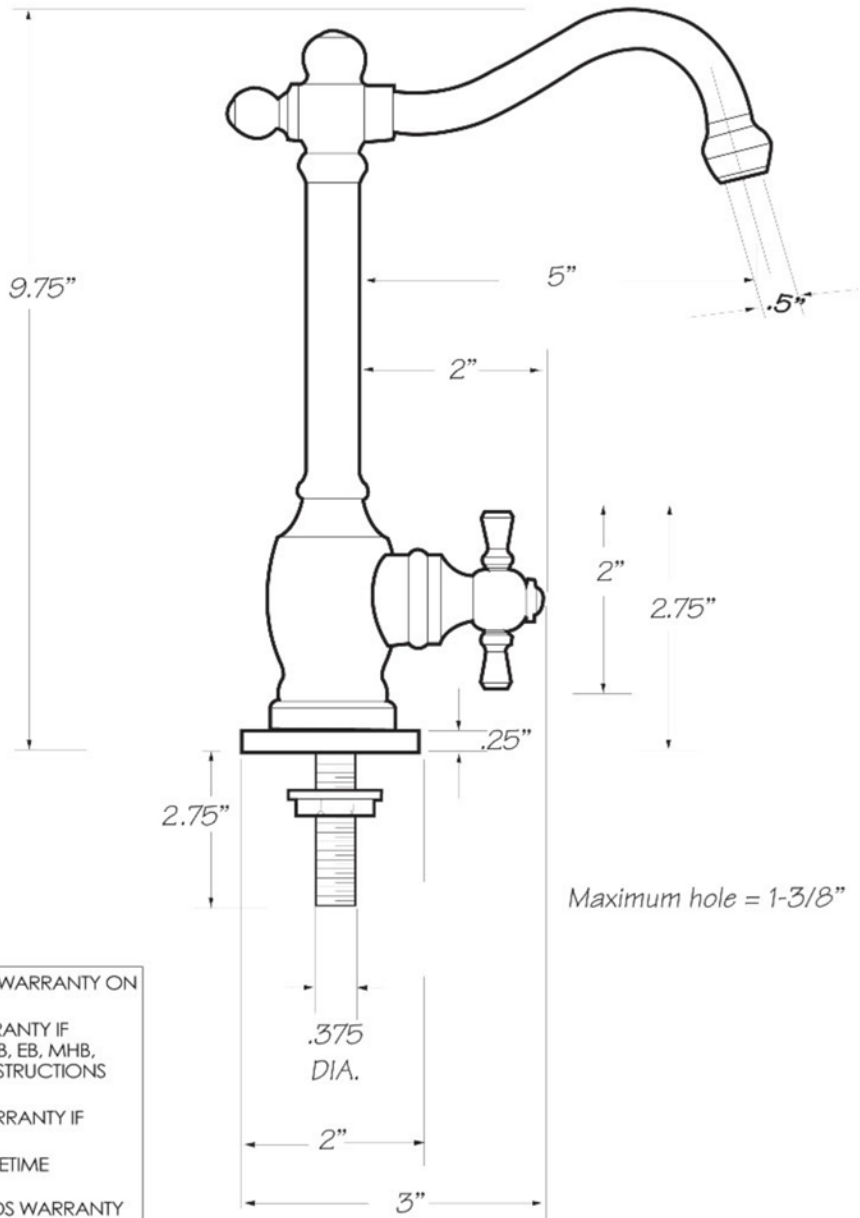




**MT1150**  
**"The Little Gourmet®"**  
**Cold Only Water Dispenser**  
**INSTALLATION DIMENSIONS**

**This model offers you the following features & benefits:**

- All brass body
- Insulated spout for safety
- For use as a water filtration, bar or Food Prep Faucet
- Cross Handle
- Traditional Styling
- Available in 11 finishes
  - CPB - Polished Chrome
  - PN - Polished Nickel
  - BRN - Brushed Nickel
  - PEW - Pewter
  - PVD - PVD Brass
  - WB - Weathered Brass
  - WCP - Weathered Copper
  - ACP - Antique Copper
  - ORB - Oil Rubbed Bronze
  - PVDDBB - PVD Brushed Bronze
  - TB - Tuscan Brass



**Warranty**

\*ALL MOUNTAIN PRODUCTS CARRY A 1 YEAR WARRANTY ON ALL WORKING PARTS. (except disposers)  
 \*MOST SPECIAL FINISHES HAVE A 1 YEAR WARRANTY IF INSTRUCTIONS ARE FOLLOWED PROPERLY. ORB, EB, MHB, WCP, AND TB HAVE A 90 DAY WARRANTY IF INSTRUCTIONS ARE FOLLOWED PROPERLY.  
 \*ALL PVD FINISHES COME WITH A LIFETIME WARRANTY IF INSTRUCTIONS ARE FOLLOWED PROPERLY  
 \*ALL XENYO COLORED PRODUCTS HAVE A LIFETIME WARRANTY  
 \*USE OF PLUMBERS PUTTY ON PRODUCTS VOIDS WARRANTY