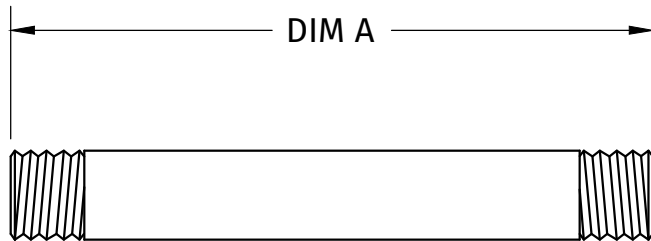


MT448X-NL & MT450X-NL

1/2 IPS BRASS PIPE NIPPLE



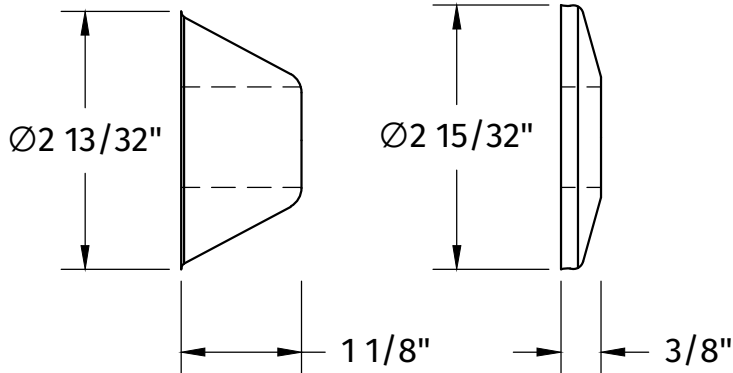
SPECIFICATION SHEET



COMPATIBLE FLANGES (SOLD SEPARATELY)

MT443X
BRASS BELL FLANGE

MT442X
BRASS FLAT FLANGE



- SOLID BRASS CONSTRUCTION
- FOR 1/2 IPS APPLICATIONS
- (MT448X-NL SHOWN)

MODEL NUMBER	DIM A
• MT448X-NL:	6"
• MT450X-NL:	4"

WARRANTY

FOR WARRANTY INFO PLEASE VISIT WWW.MOUNTAINPLUMBING.COM/PAGE/RESOURCES/WARRANTY

FINISH CARE & MAINTENANCE

NEVER USE ANY HARSH ALKALI, ACID BASED DETERGENTS OR CLEANERS SUCH AS SOFT SCRUB®, SCRUBBING BUBBLES® OR COMET® TO CLEAN. DO NOT USE BRILLO® AND SCOTCH BRITE® PADS. THESE WILL ALL HARM THE FINISH. TO CLEAN, USE ONLY A DAMP SOFT CLOTH AND WIPE USING A SOFT CLOTH. STANDARD WINDEX® CAN ALSO BE USED SPARINGLY. IT IS NOT NECESSARY TO WIPE HARD TO REMOVE SPOTS. TO MAINTAIN THE FINISH, WIPE WITH A SOFT DRY CLOTH AFTER USE. AN OCCASIONAL COAT OF PURE CARNAUBA WAX WITHOUT CLEANERS WILL HELP PROTECT THE FINISH.

SPECIFICATIONS SUBJECT TO CHANGE WITHOUT NOTICE