

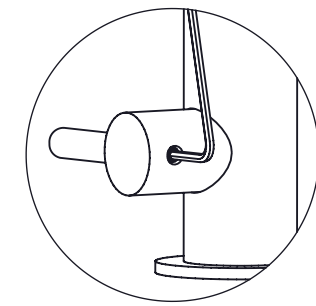
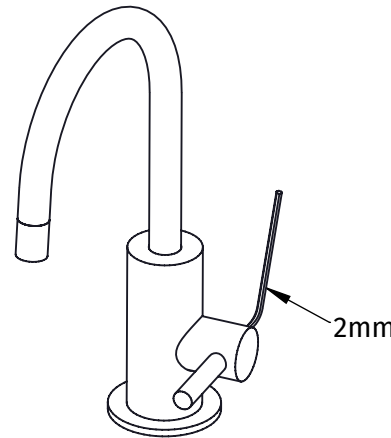
DHM32324, DHM32325

CARTRIDGE REPLACEMENT INSTRUCTIONS

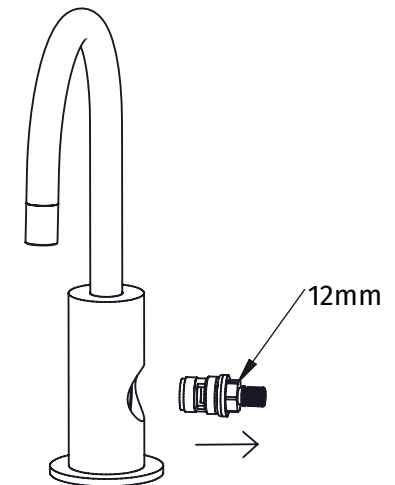
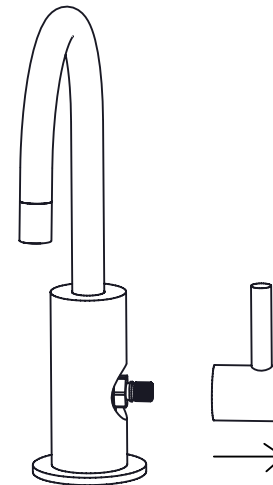
TOOLS NEEDED:

- 2mm Allen wrench
- 12mm Socket wrench

- 1. TURN OFF THE WATER SUPPLY TO THE FAUCET USING THE SHUT-OFF VALVE UNDER THE KITCHEN SINK!**
2. Turn the handle of the faucet to the "open" position.
3. On the underside of the handle, which is now on the back, there is a small hole. In that hole is a set screw which must be loosened with a 2mm Allen wrench. Loosen the set screw 1-2 turns. It's not necessary to remove it completely.
4. Pull the handle off of the faucet. It may be stuck and take some wiggling to get it loose.
5. Use a 12mm socket to unscrew the cartridge.
6. Screw in the new cartridge and use a 12mm socket to tighten. About 6-8 ft-lbs is recommended (that means get it nice and snug but don't muscle it).
7. Replace the handle and make sure to align it properly (vertical for closed, horizontal for open).
8. Tighten the set screw using the 2mm Allen wrench.



BACK VIEW



WARRANTY

FOR WARRANTY INFO PLEASE VISIT WWW.MOUNTAINPLUMBING.COM/WARRANTY-CLAIMS

SPECIFICATIONS SUBJECT TO CHANGE WITHOUT NOTICE
www.mountainplumbing.com 888-222-9140 fax 972-456-2719