

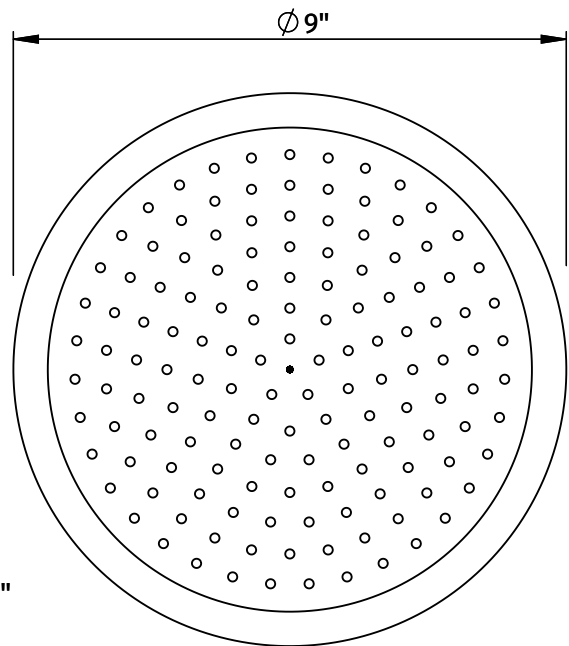
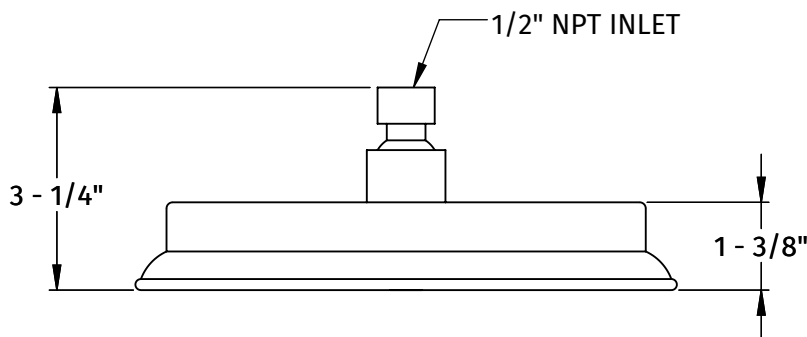
MT18-9

TRADITIONAL ROUND RAIN HEAD

SPECIFICATION SHEET



- SOLID BRASS CONSTRUCTION
- 140 CLOG-FREE NOZZLES
- 1/2" NPT SWIVEL BALL JOINT FOR ANGLE ADJUSTMENT
- 1.6 GPM FLOW RESTRICTOR MEETS CALIFORNIA REQUIREMENTS (OPTIONAL 2.5 GPM RESTRICTOR ALSO INCLUDED)
- DUE TO SIZE & WEIGHT, THIS SHOWER HEAD IS BEST SUITED TO BE USED EXCLUSIVELY AS A RAIN HEAD.



WARRANTY

FOR WARRANTY INFO PLEASE VISIT WWW.MOUNTAINPLUMBING.COM/WARRANTY-CLAIMS

FINISH CARE & MAINTENANCE

NEVER USE ANY HARSH ALKALI, ACID BASED DETERGENTS OR CLEANERS SUCH AS SOFT SCRUB®, SCRUBBING BUBBLES® OR COMET® TO CLEAN. DO NOT USE BRILLO® OR SCOTCH BRITE® PADS. THESE WILL ALL HARM THE FINISH. TO CLEAN, USE ONLY A DAMP SOFT CLOTH AND WIPE GENTLY. STANDARD WINDEX® CAN ALSO BE USED SPARINGLY. IT IS NOT NECESSARY TO WIPE HARD TO REMOVE SPOTS. TO MAINTAIN THE FINISH, WIPE WITH A SOFT DRY CLOTH AFTER USE. AN OCCASIONAL COAT OF PURE CARNAUBA WAX WITHOUT CLEANERS WILL HELP PROTECT THE FINISH.

SPECIFICATIONS SUBJECT TO CHANGE WITHOUT NOTICE

www.mountainplumbing.com 888-222-9140 fax 972-456-2719