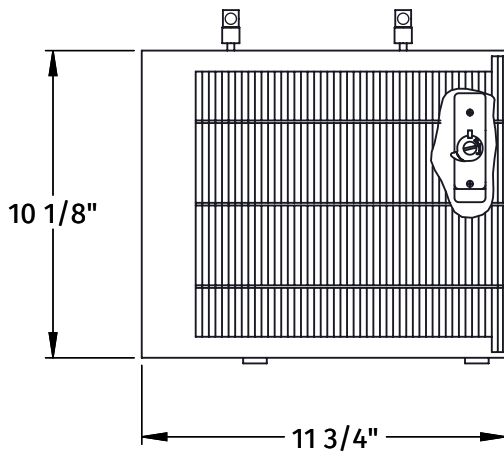
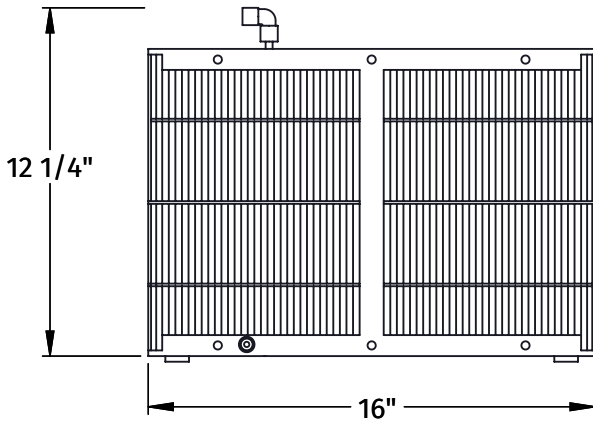


MT670-2

MOUNTAIN CHILL® WATER CHILLER

SPECIFICATION SHEET



- 1/2 GALLON STAINLESS STEEL TANK
- CHILLS WATER TO BETWEEN 39.2° F TO 50° F
- SUPPLIES UP TO 3 GALLONS OF CHILLED WATER PER HOUR
- COMPATIBLE WITH REVERSE OSMOSIS SYSTEMS
- WHISPER QUIET OPERATION
- ADJUSTABLE THERMOSTAT
- CAN CONNECT TO 1/4" OR 3/8" TUBING
- C-UL-US, CE CB CERTIFIED

ELECTRICAL / REFRIGERANT

- 100-115 V A/C, 60 Hz, 75W (0.2 kw-hr/24hr), 1.2 Amps
- SINGLE PHASE MOTOR
- R134A REFRIGERANT / 1.2 oz CHARGE

WARRANTY

FOR WARRANTY INFO PLEASE VISIT WWW.MOUNTAINPLUMBING.COM/WARRANTY-CLAIMS